

## Elevator Shafts



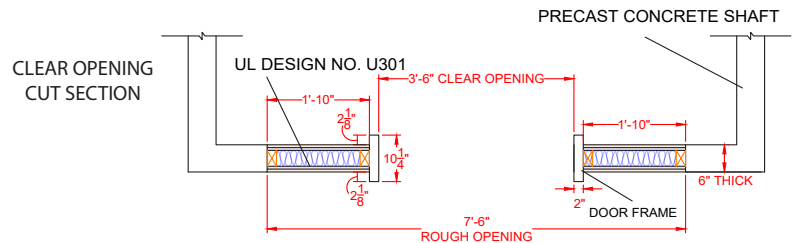
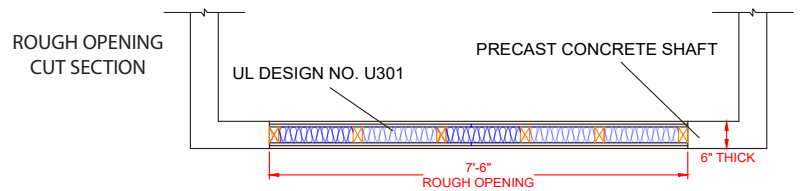
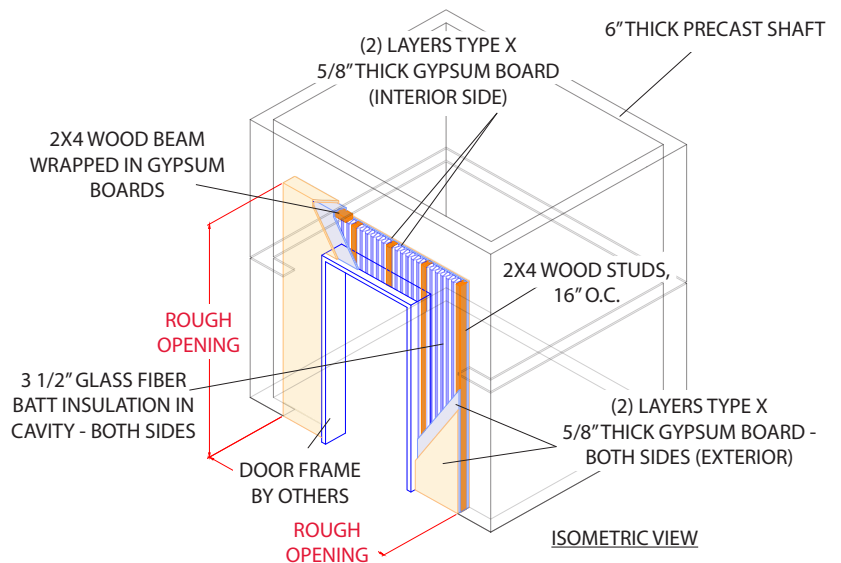
**Elevator Shaft**

### Manufactured in the USA by County Materials Corporation

Precast shafts manufactured by County Materials provide an efficient option for elevator and stair shaft construction. Rely on us to deliver and install precast components that help keep even the toughest construction schedules on track.

#### Specifications

- Signed and sealed shop drawings from specialty engineer
- 6" or 8" thick precast concrete shafts
- 6" thick precast roof cap
- Wide flange hoist beam
- Transportation
- Installation equipment and labor
- 2-hour joint assembly



#### Advantages

- Ideal for residential mid-rise buildings, self-storage, offices, hotels, student housing, and apartments
- Ready-to-install components support efficient construction and reliable scheduling
- Fire ratings up to 3 hours
- Manufactured to 6,500 psi compressive strength with precise dimensions in our NPCA-certified plant
- Rigorous in-plant quality control inspections
- Responsive customer service and trusted products

(Patent Pending)

## Stair Shafts

### Permanent Access from the Start

Avoid dangerous temporary ladders and expensive temporary stairs. Precast Stair Shafts and Staircases allow immediate access for:

- Stair installers and tradesmen
- Inspectors
- First responders
- Fire suppression pipe stand

County Materials is your source for resilient precast elevator and stair shafts, supplying projects throughout the greater Midwest and Southeast.

### Specifications

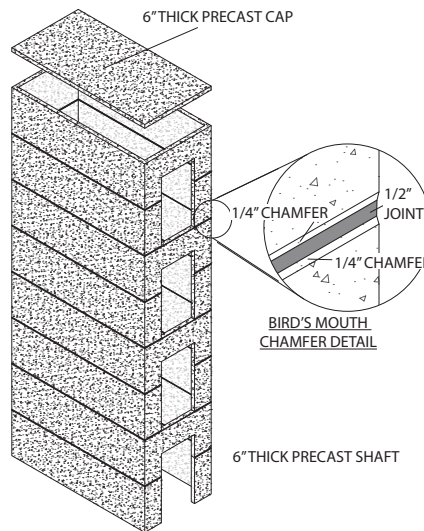
- Signed and sealed shop drawings from specialty engineer
- 6" or 8" thick precast concrete shafts
- 6" thick precast roof cap
- Wide flange hoist beam
- Transportation
- Installation equipment and labor
- 2-hour joint assembly

### Advantages

- Ideal for residential mid-rise buildings, self-storage, offices, hotels, student housing, and apartments
- Ready-to-install components support efficient construction and reliable scheduling
- Fire ratings up to 3 hours
- Manufactured to 6,500 psi compressive strength with precise dimensions in our NPCA-certified plant
- Rigorous in-plant quality control inspections
- Responsive customer service and trusted products



Four Story Stair Shaft



Combined 5-Story Shafts

(Patent Pending)