

# Light Pole & Signage Bases



Precast concrete light pole and signage bases are an efficient solution for a variety of lighting and signage fixtures.

## Off-Site Production

County Materials' Concrete Light Pole and Signage Bases are manufactured off-site and arrive ready to install, eliminating the need for on-site forming and curing. Precast structures provide efficient installation compared to alternative cast-in-place methods, which require more on-site labor, material delays, and good weather conditions.

## Quality

Our concrete foundations are manufactured year-round in our NPCA-certified plants, and each product adheres to strict specifications and quality standards. Our plants provide a temperature-controlled environment, ensuring the same excellent results for every product. County Prestress & Precast's concrete mixes are optimized for strength and durability so that our products will serve our customers for years with no maintenance.

## Meeting Project Needs

County Materials produces Light Pole and Signage Bases to FDOT specification, providing many sizes to meet the design needs of each project. We offer the following elements:

- Single-Column Foundation
- Multi-Column Foundation
- Light Pole Foundation
- Commercial Light Pole Bases
- Rapid Flash Beacon Foundation
- Pedestrian Base Foundation



## Advantages

- Fast and efficient installation
- All-weather installation
- Unmatched strength and lasting performance

## Applications

Precast concrete bases can be used for light fixtures, flag poles, and signage for a variety of municipal and commercial applications.

- Local and County Streets
- U.S. Highways and Interstates
- Parking Lots
- Parks

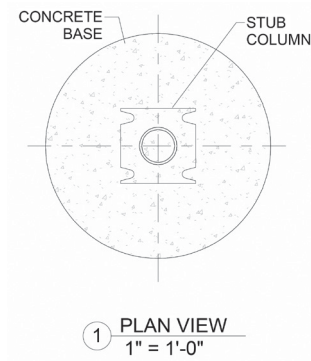
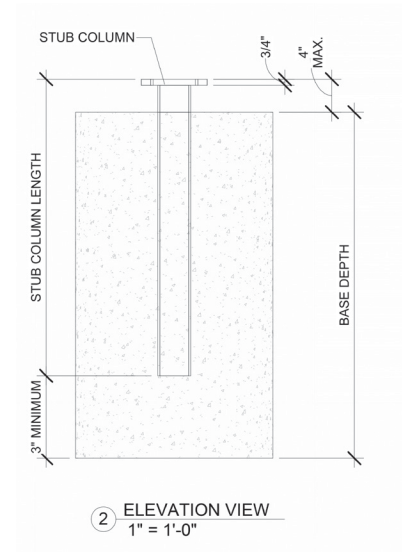
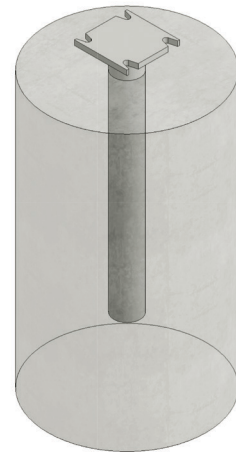


**Proud to be American based  
and American made since 1946**

# Light Pole & Signage Bases

## Single Column Foundation

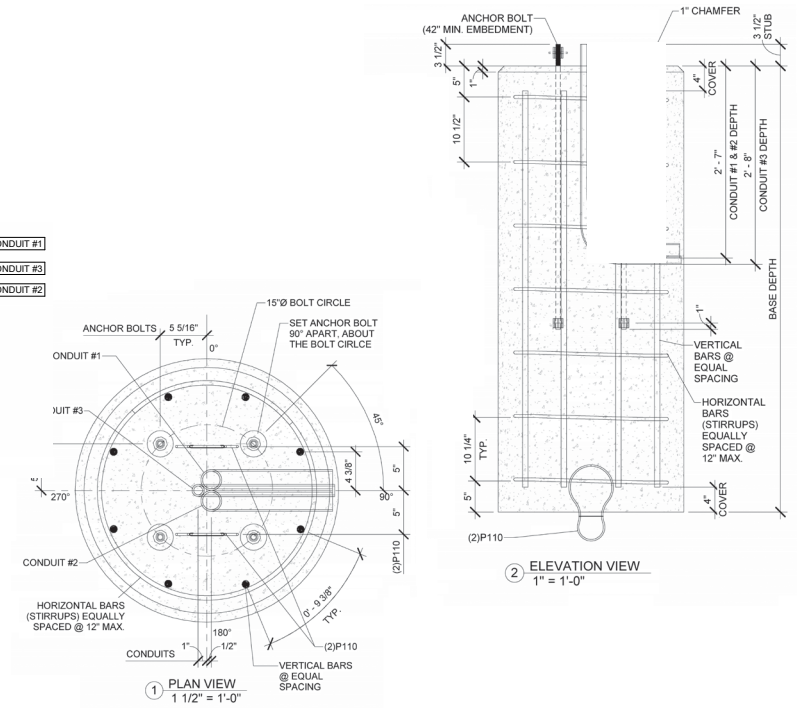
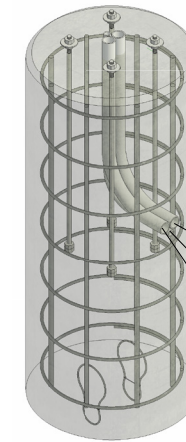
700-010



# Light Pole & Signage Bases

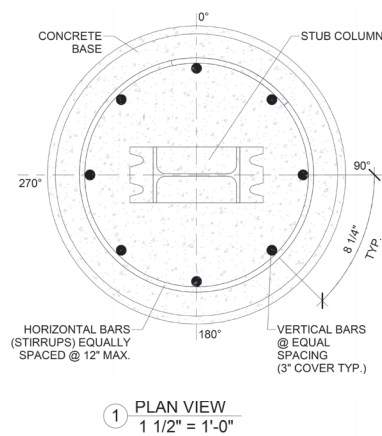
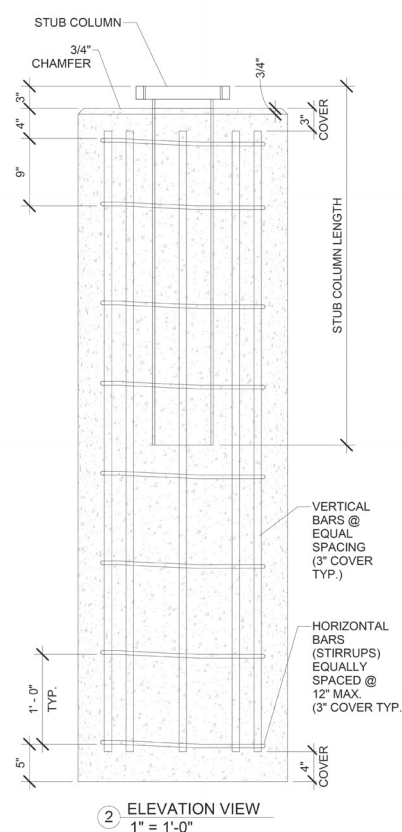
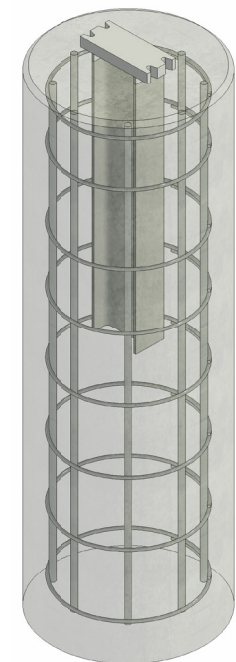
## Light Pole Foundation

715-002



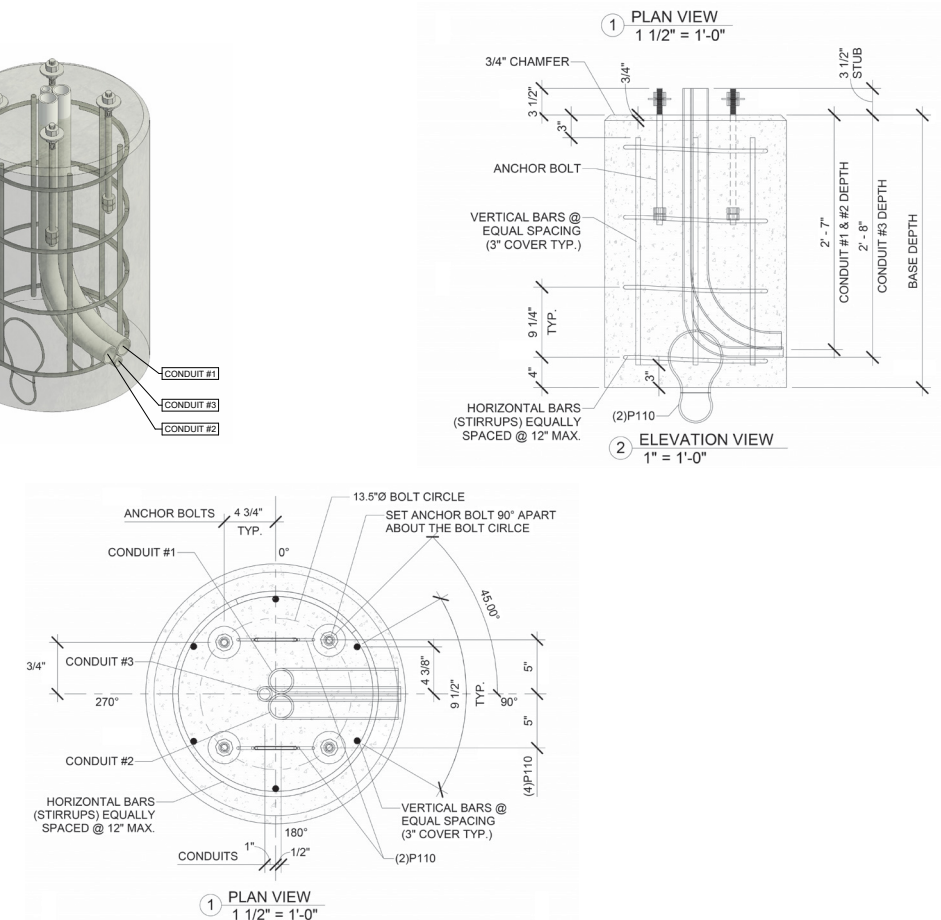
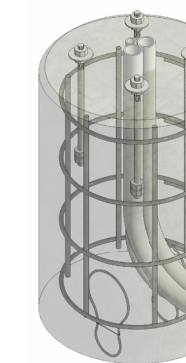
## Multi Column Foundation

700-020



## Pedestrian Base Foundation

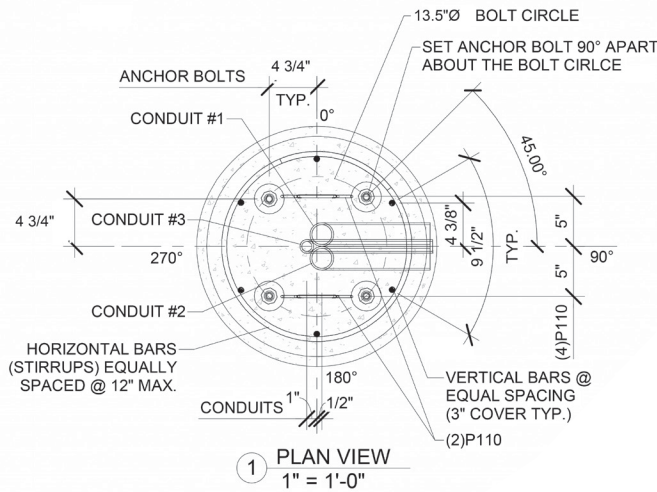
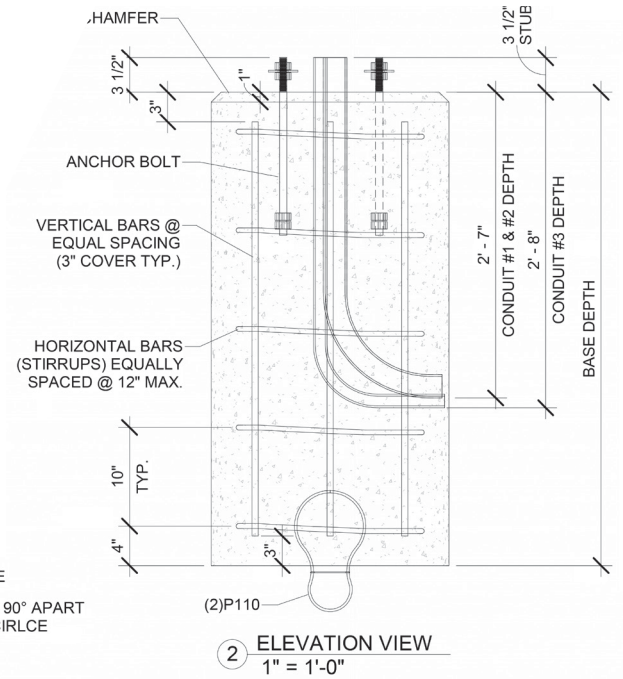
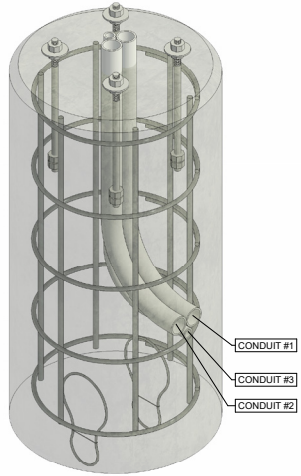
646-001



# Light Pole & Signage Bases

## Rapid Flash Beacon Foundation

654-001



Proud to be American based  
and American made since 1946