

# Wisconsin Pipe

## CATALOG





# Unrivaled Concrete Pipe and Precast Products

County Materials' Wisconsin Pipe Catalog showcases our complete line of reinforced concrete pipe, manholes, endwalls, catch basins, and related components engineered to meet the demands of modern infrastructure. Municipalities, contractors, and engineers have relied on our products for dependable performance in storm and sanitary sewer systems for decades.

You'll find detailed specifications, sizing charts, and technical drawings to assist with planning and installation. Each product is manufactured to rigorous industry standards, using high-quality materials and proven processes that deliver strength, durability, and long service life.

Our experienced team is committed to supporting every stage of your project, from product selection to timely delivery. Whether you are building new infrastructure or upgrading existing systems, County Materials provides the solutions and products to help you get the job done efficiently and with confidence.



# Table of Contents

## Section A Storm Sewer Systems

Drawing #	Page Description
A1	Reinforced Concrete Pipe
A2	Storm Manhole Sizing Chart (48" - 96")
A3	Storm Manhole Sizing Chart (108" - 144")
A4	48" Diameter Storm Manhole
A5	60" Diameter Storm Manhole
A6	72" Diameter Storm Manhole
A7	Storm Reduction Manhole
A8	Reduction Cover
A9	2' X 3' Storm Inlet Box
A10	Median 1 Grate Inlet
A11	Median 2 Grate Inlet
A12	36" Diameter Storm Catch Basin
A13	30" Diameter Storm Catch Basin
A14	Small Storm Catch Basins
A15	Concrete Apron Endwalls
A16	96" RC Headwalls

A17	6" Concrete Endwall
A18	Concrete Elliptical Endwalls
A19	68" x 106" RC Headwalls
A20	73" x 113" RC Headwalls
A21	77" x 121" RC Headwalls
A22	Galvanized Trash Guards
A23	Concrete Pipe Fittings – Wyes, Tees & Transitions
A24	Concrete Pipe Fittings – Pipe Plugs / Caps & Fabricated Bends

## Section B Sanitary Sewer Systems

Drawing #	Page Description
B1	Sanitary Manhole Sizing Chart
B2	Standard Sanitary Manhole
B3	Shallow Sanitary Manhole
B4	Exterior Drop Manhole
B5	Sanitary Reduction Manhole
B6	Reduction Cover



# Storm Sewer Systems

## Reinforced Concrete Pipe

Drawing # **A1**  
Date: 0109

REINFORCED CONCRETE PIPE – ROUND – GASKET JOINT – ASTM C-76						
	B WALL		C WALL		APPROX. ENDWALL WEIGHT	MAXIMUM LOAD
INSIDE DIAMETER	WALL THICKNESS	APPROX. LB/FT	WALL THICKNESS	APPROX. LB/FT	LBS	FT/TRUCK
12"	2"	95	2 3/4"	105	1200	384'
15"	2 1/4"	145	N/A		1800	320'
18"	2 1/2"	185	N/A		2000	240'
21"	CALL FOR MORE INFORMATION					
24"	3"	310	3 3/4"	360	3080	144'
27"	CALL FOR MORE INFORMATION					
30"	3 1/2"	435	4 1/4"	500	3800	104'
33"	CALL FOR MORE INFORMATION					
36"	4"	595	4 3/4"	665	4100	72'
42"	4 1/2"	685	N/A		5380	64'
48"	5"	890	5 3/4"	1085	6550	48'
54"	5 1/2"	1070	6 1/4"	1270	8240	32'
60"	6"	1295	6 3/4"	1530	8730	32'
66"	6 1/2"	1550	7 1/4"	1740	11500	24'
72"	N/A		7 3/4"	2100	13300	16'
78"	7 1/2"	2350	N/A		20920	16'
84"	8"	2480	N/A		20920	16'
96"	9"	3080	N/A		N/A	16'
108"	10"	4170	N/A		N/A	8'
120"	11"	4875	N/A		N/A	8'
144"	12"	6200	N/A		N/A	6'

REINFORCED CONCRETE PIPE - ELLIPTICAL - GASKET JOINT - ASTM C507				
HE - HORIZONTAL ELLIPTICAL VE - VERTICAL ELLIPTICAL				
RISE & SPAN	WALL THICKNESS	APPROX. LB/FT	APPROX. ENDWALL WEIGHT	FT/TRUCK
14"x23"(18"EQ)	2 3/4"	230	1600	200'
19"x30"(24"EQ)	3 1/4"	340	2300	128'
24"x38"(30"EQ)	3 3/4"	430	3500	96'
29"x45"(36"EQ)	4 1/2"	660	3950	72'
34"x53"(42"EQ)	5"	860	5600	48'
38"x60"(48"EQ)	5 1/2"	1,055	6840	40'
43"x68"(54"EQ)	6"	1,348	10860	32'
48"x76"(60"EQ)	6 1/2"	1,555	11810	24'
53"x83"(66"EQ)	7"	1,885	15000	24'
58"x91"(72"EQ)	7 1/2"	2,040	18000	16'
68"x106"(84"EQ)	8 1/2"	2,680	21450	16'
72"X113"(90"EQ)	9"	3,100	23240	16'
77"X121"(96"EQ)	9 1/2"	3,810	22860	8'
87"X136"(108"EQ)	10"	4,350	N/A	8'
97"X151"(120"EQ)	11"	5,190	N/A	8'

\* Wall thickness may vary based upon equipment, manufacturing location and availability

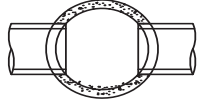
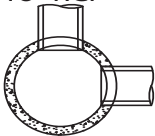
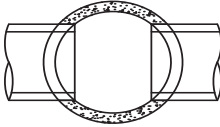
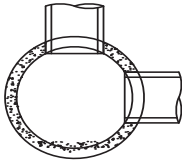
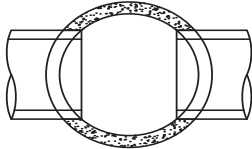
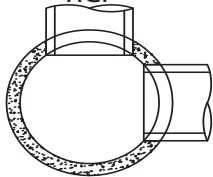
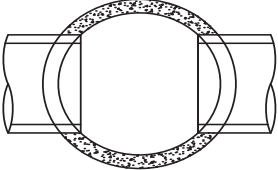
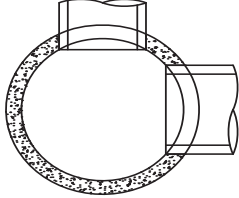
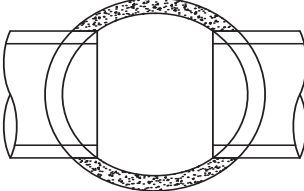
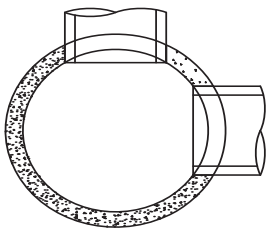
- Customer unloads all HE & 96", 108", 120", and 144" pipe.
- All pipe manufactured in 8' lengths only.
- Gasket lubricant not included in pipe price.
- 3/4" Joint tie assembly (12" RCP – 60" RCP)
- 1" Joint tie assembly (66" RCP – 120" RCP)

# Storm Sewer Systems

## Storm Manhole Sizing Chart (48"-96")

Drawing # **A2**

Date: 0109

MANHOLE DIAMETER	MAXIMUM PIPE SIZE FOR PRECAST STRUCTURES	
	STRAIGHT	RIGHT ANGLE
48"	24" RCP  24" RCP	18" RCP  18" RCP
60"	36" RCP  36" RCP	24" RCP  24" RCP
72"	42" RCP  42" RCP	36" RCP  36" RCP
84"	48" RCP  48" RCP	36" RCP  42" RCP
96"	60" RCP  60" RCP	42" RCP  42" RCP

**PRECAST MANHOLE SIZING CHART**

SCALE: 1/8" = 1'-0"

DATE: JANUARY 2008

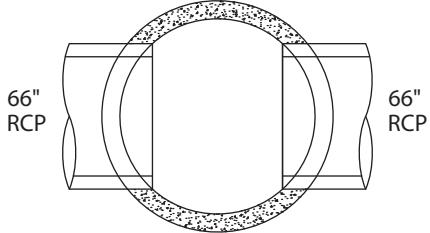
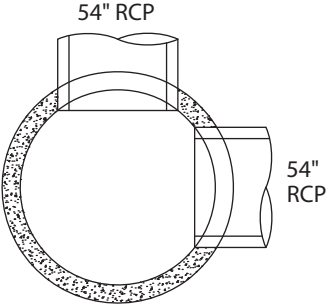
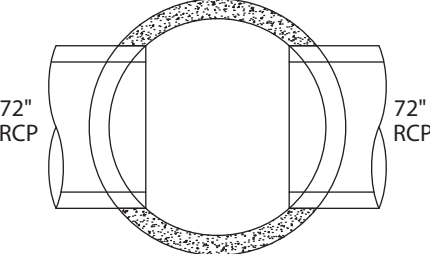
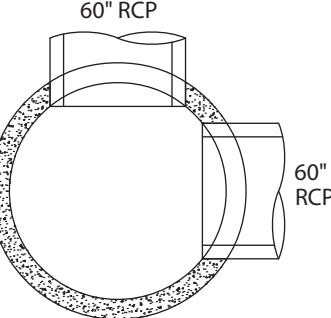
PLATE: **A3**

# Storm Sewer Systems

Drawing # **A3**

Date: 0109

## Storm Manhole Sizing Chart (108" - 144")

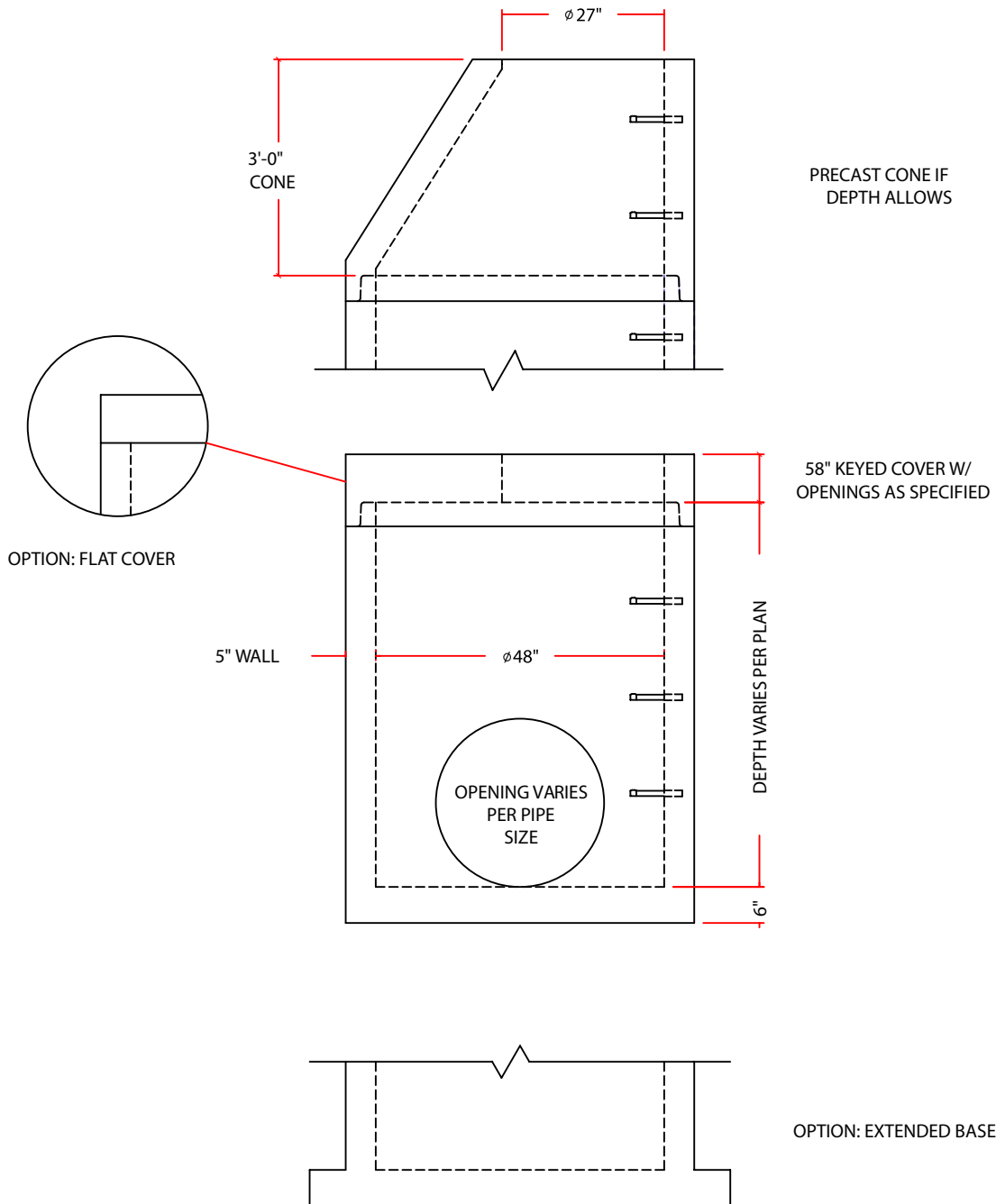
MANHOLE DIAMETER	MAXIMUM PIPE SIZE FOR PRECAST STRUCTURES	
	STRAIGHT	RIGHT ANGLE
108"	 <p>66" RCP</p> <p>66" RCP</p> <p>(BASED ON 8'-0" RISER HEIGHT)</p>	 <p>54" RCP</p> <p>54" RCP</p>
120"	 <p>72" RCP</p> <p>72" RCP</p> <p>(BASED ON 8'-0" RISER HEIGHT)</p>	 <p>60" RCP</p> <p>60" RCP</p>
144"	<p>PLEASE CALL FOR ASSISTANCE (6'-0" MAX RISER HEIGHT)</p>	

# Storm Sewer Systems

Drawing #: **A4**

Date: 0109

## 48" Diameter Storm Manhole



### Specifications:

- Manufactured to ASTM C-478 specifications.
- Step - Steel, Plastic Coated 16" on center.
- See precast manhole sizing chart for maximum allowable pipe size per manhole diameter.

### Notes:

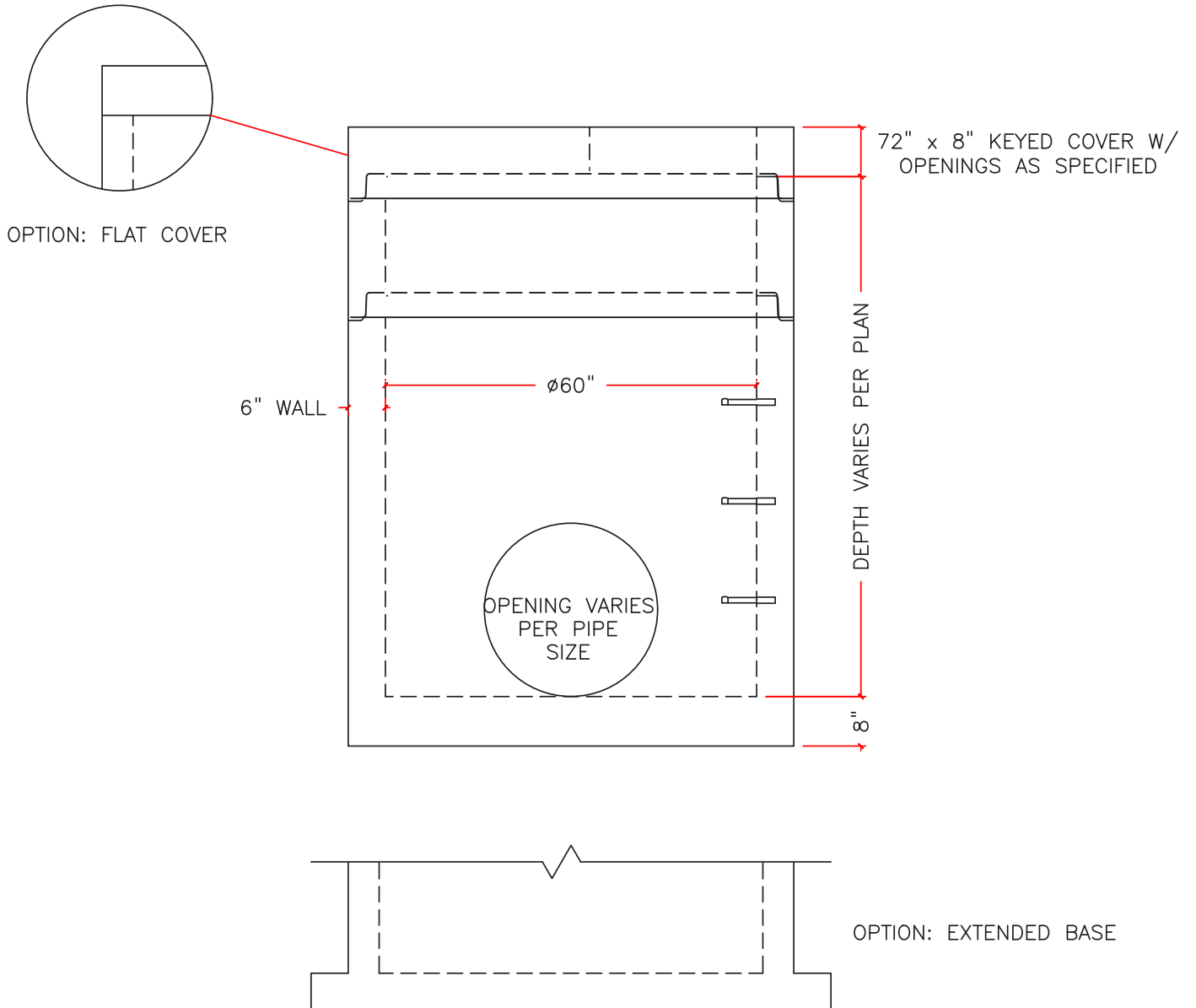
Extension may be changed by engineer of record for their flotation calculations.

# Storm Sewer Systems

Drawing # **A5**

Date: 0109

## 60" Diameter Storm Manhole



### Specifications:

- Manufactured to ASTM C-478 specifications.
- Step - Steel, Plastic Coated, 16" on center.
- See precast manhole sizing chart for maximum allowable pipe size per manhole diameter.

### Notes:

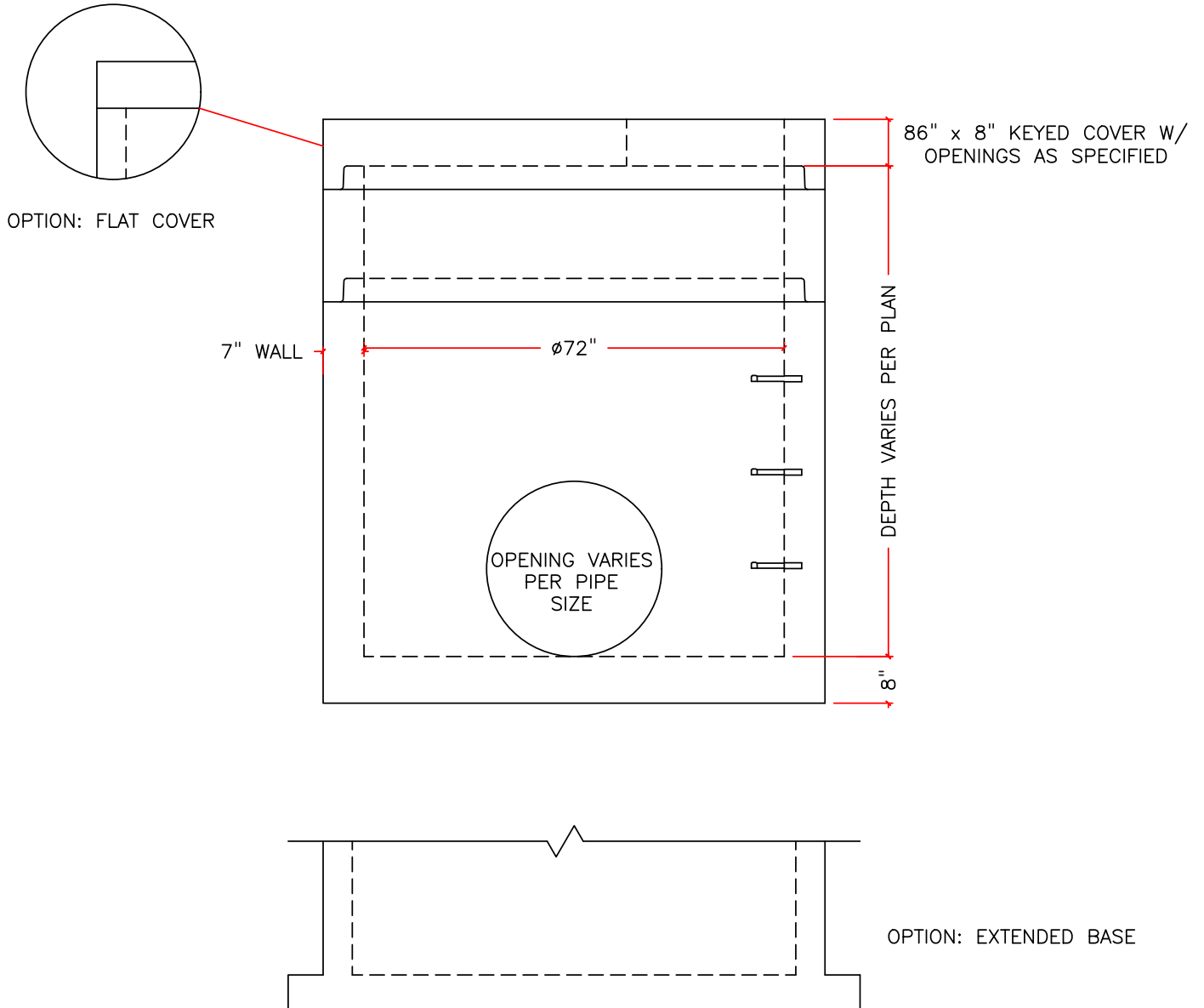
Extension may be changed by engineer of record for their flotation calculations.

# Storm Sewer Systems

Drawing # **A6**

Date: 0109

## 72" Diameter Storm Manhole



### Specifications:

- Manufactured to ASTM C-478 specifications.
- Step - Steel, Plastic Coated, 16" on center.
- See precast manhole sizing chart for maximum allowable pipe size per manhole diameter.

### Notes:

Extension may be changed by engineer of record for their flotation calculations.

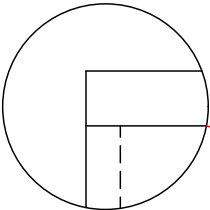
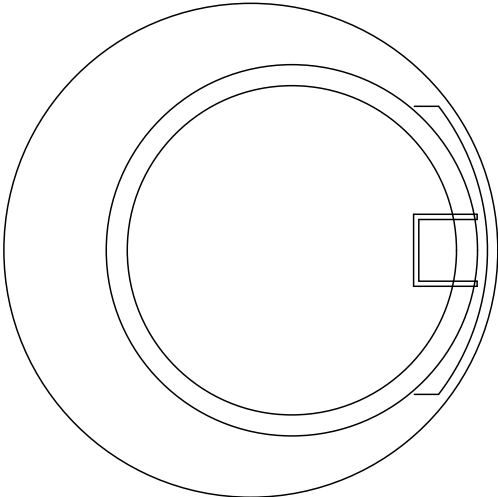


# Storm Sewer Systems

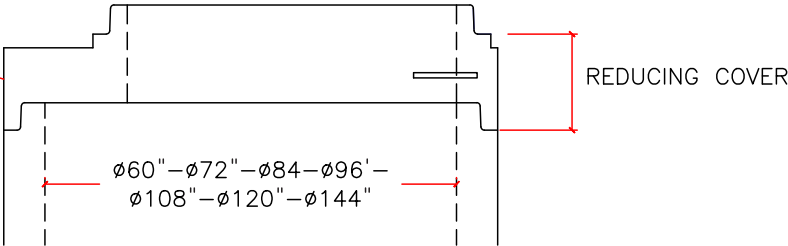
Drawing # **A8**

Date: 0109

## Reduction Cover



OPTION: FLAT COVER



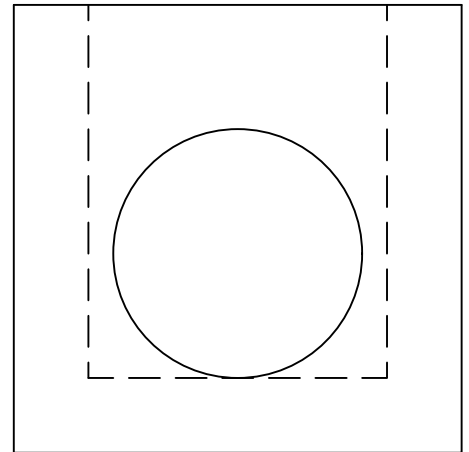
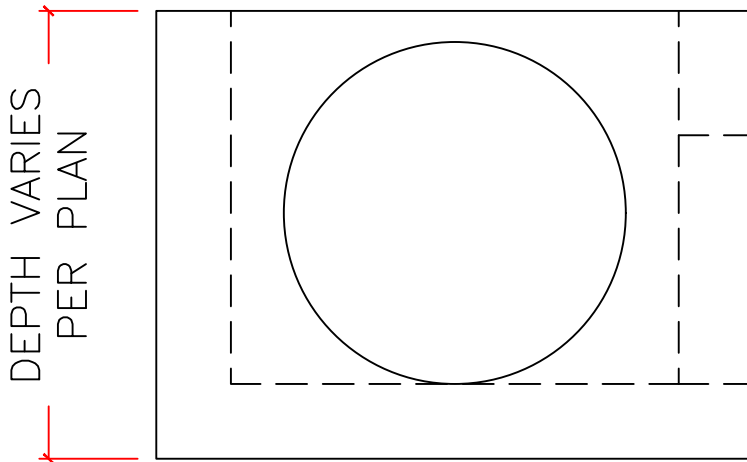
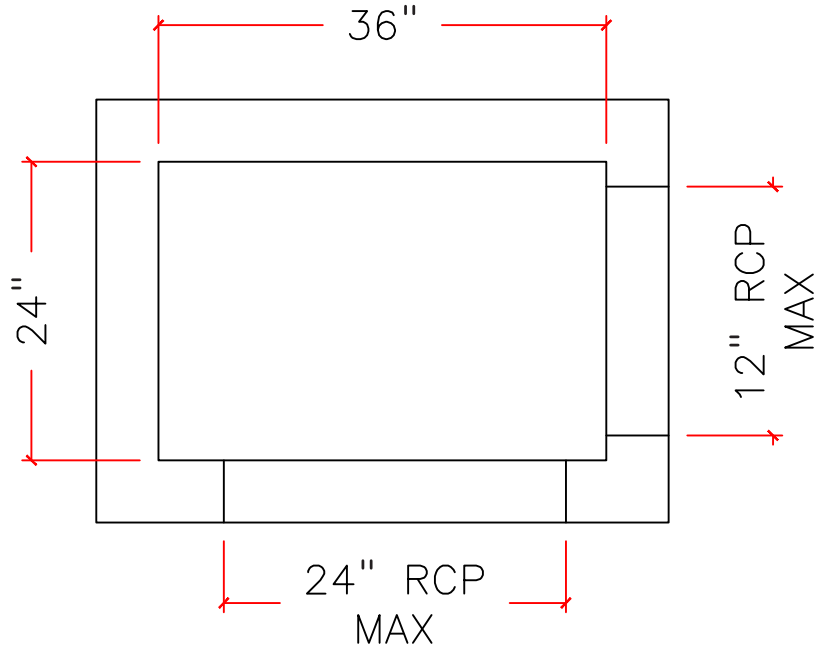
### Specifications:

- Manufactured to ASTM C-478 specifications.
- Step - Steel, Plastic Coated, 16" on center.

# Storm Sewer Systems

Drawing # **A9**  
Date: 0109

## 2' X 3' Storm Inlet Box



### Specifications:

- Manufactured to ASTM C-913 specifications.
- 2'x3'x2, 4" & 6" adjusting squares available.
- 2'x3' risers available (12" - 60" HEIGHTS)
- 2'x3' riser = 725 lbs. / Ft.. Add 700 lbs. for mono base.

### Notes:

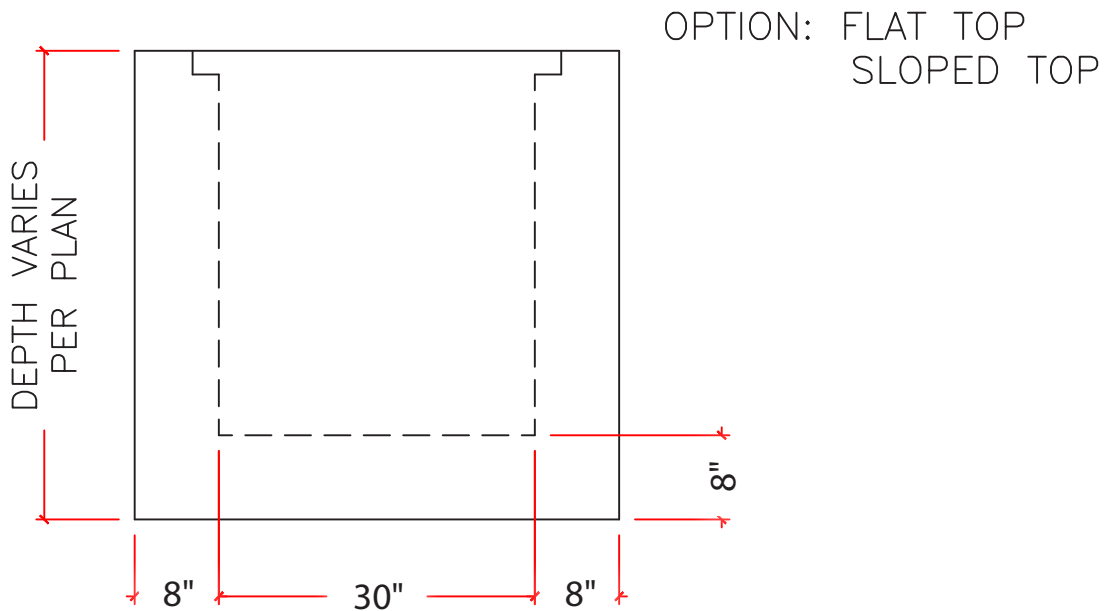
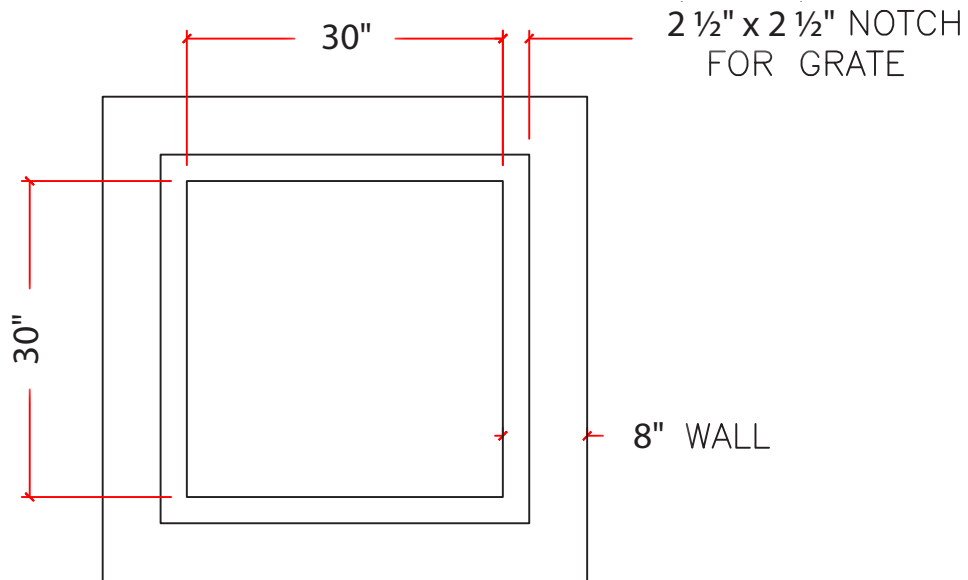
Any penetrations through the corner are at the Engineer of Record's own risk, as it may compromise structural integrity. If penetration is going into the corner at all, CMC recommends a round structure.

# Storm Sewer Systems

Drawing # **A10**

Date: 0109

## Median 1 Grate Inlet



### Specifications:

- Manufactured to ASTM C-913 specifications.
- 1260 lbs. / Vertical Ft. Add 700 lbs. for cast in base.

### Notes:

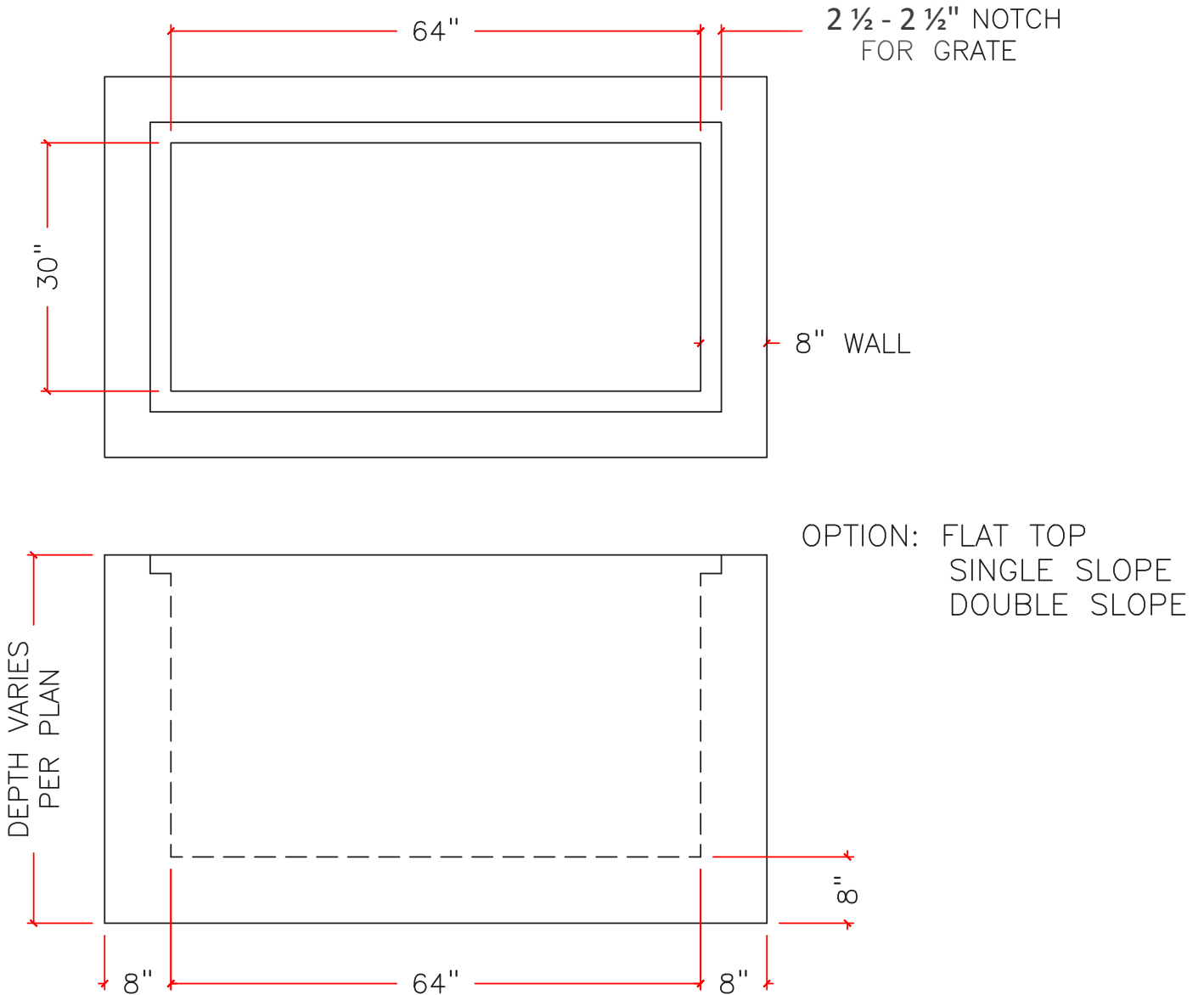
Any penetrations through the corner are at the Engineer of Record's own risk, as it may compromise structural integrity. If penetration is going into the corner at all, CMC recommends a round structure.

# Storm Sewer Systems

Drawing # **A11**

Date: 0109

## Median 2 Grate Inlet



### Specifications:

- Manufactured to ASTM C-913 specifications.
- 1840 lbs. / Vertical Ft.. Add 1350 lbs. for cast in base.

### Notes:

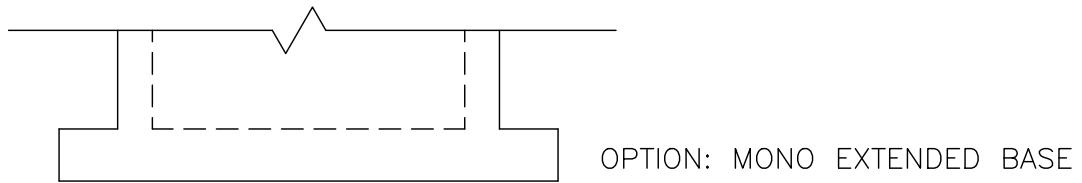
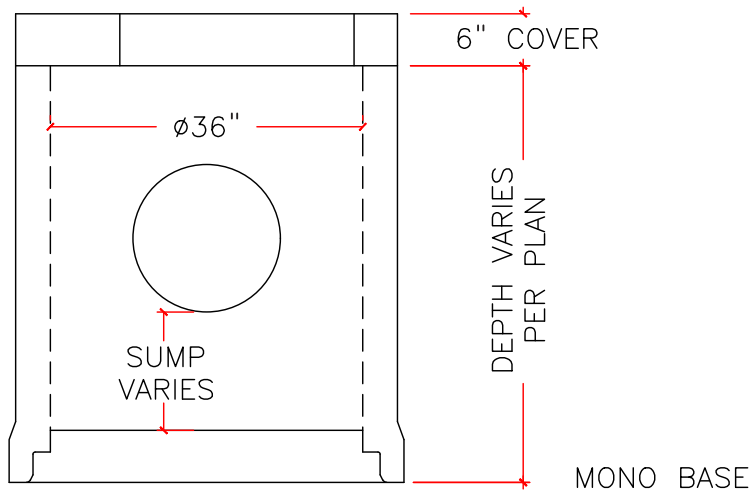
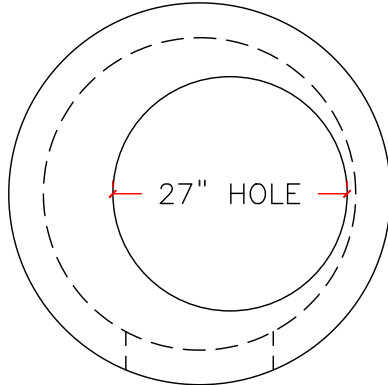
Any penetrations through the corner are at the Engineer of Record's own risk, as it may compromise structural integrity. If penetration is going into the corner at all, CMC recommends a round structure.

# Storm Sewer Systems

Drawing # **A12**

Date: 0109

## 36" Diameter Small Storm Catch Basin



### Specifications:

- Manufactured to ASTM C- 478 specifications.
- Concrete strength - 4000 P.S.I.
- All reinforcing designed for 1" minimum cover.

### Notes:

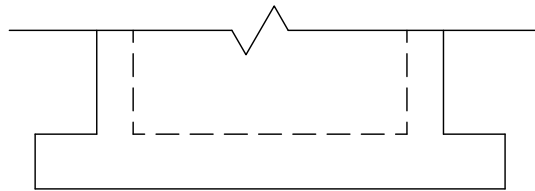
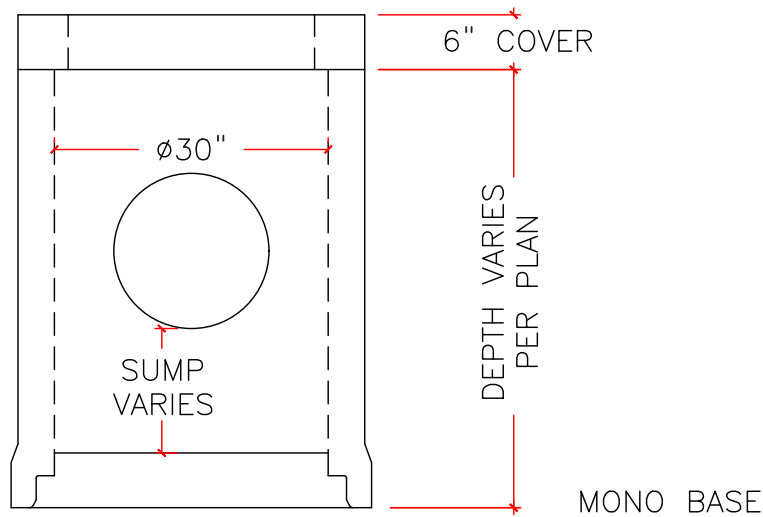
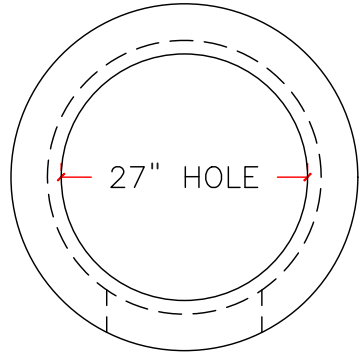
Extension may be changed by engineer of record for their flotation calculations.

# Storm Sewer Systems

Drawing # **A13**

Date: 0109

## 30" Diameter Small Storm Catch Basin



OPTION: MONO EXTENDED BASE

### Notes:

Extension may be changed by engineer of record for their flotation calculations.

### Specifications:

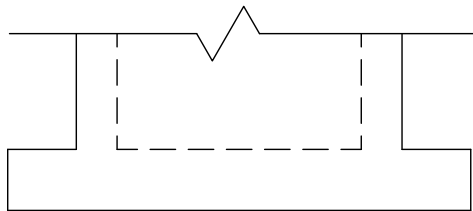
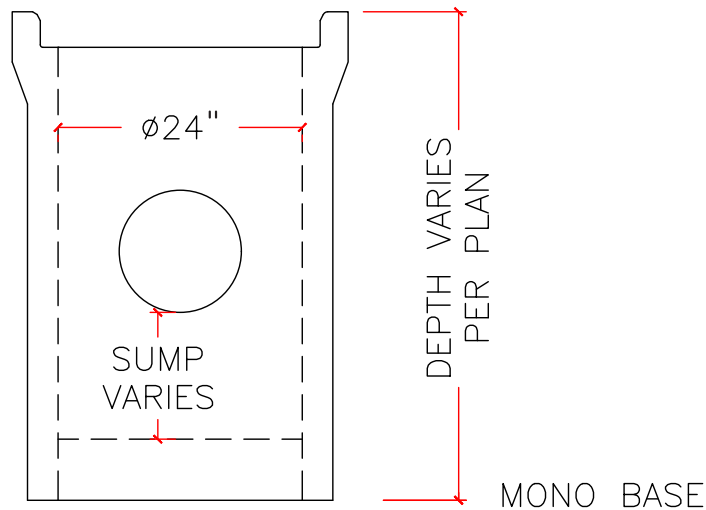
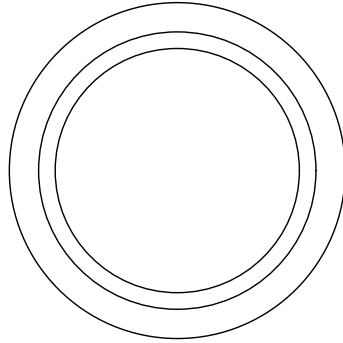
Manufactured to ASTM C- 478 specifications.

# Storm Sewer Systems

Drawing # **A14**

Date: 0109

## Small Storm Catch Basins



OPTION: MONO EXTENDED BASE

### Notes:

Extension may be changed by engineer of record for their flotation calculations.

### Specifications:

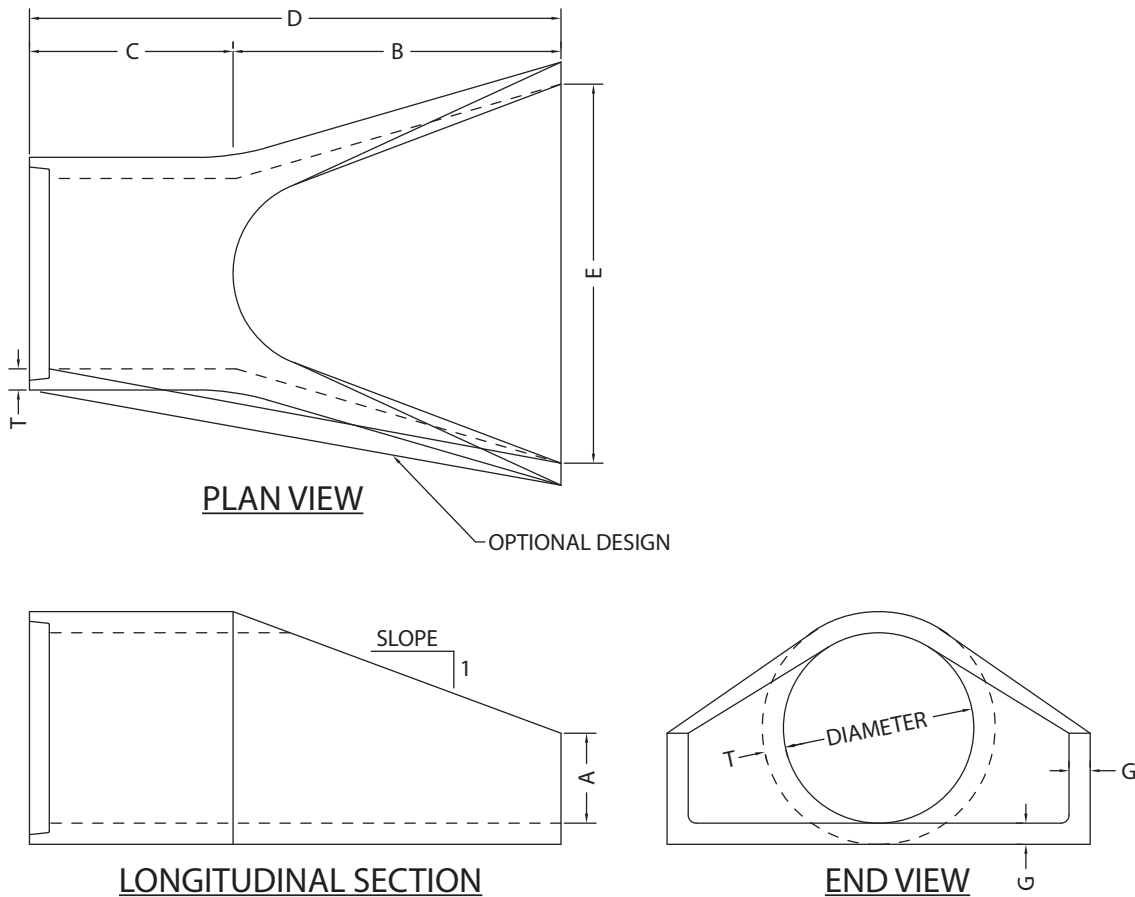
Manufactured to ASTM C- 478 specifications.

# Storm Sewer Systems

Drawing # **A15**

Date: 1011

## Concrete Apron Endwalls



DIAMETER (INCHES)	LAY LENGTH (INCHES)	APPROX. SLOPE
12"	72 $\frac{7}{8}$ "	3 TO 1
15"	73"	3 TO 1
18"	73"	3 TO 1
21"	CALL FOR MORE INFORMATION	
24"	73 $\frac{1}{2}$ "	3 TO 1
27"	CALL FOR MORE INFORMATION	
30"	73 $\frac{1}{2}$ "	3 TO 1
36"	97 $\frac{3}{4}$ "	3 TO 1
42"	98"	3 TO 1
48"	98"	3 TO 1
54"	98 $\frac{1}{4}$ "	2.4 TO 1
60"	99"	2 TO 1
66"	102 $\frac{1}{2}$ "	2 TO 1
72"	99"	2 TO 1
78"	109"	1.5 TO 1
84"	109"	1.5 TO 1
96"	115"	1.5 TO 1

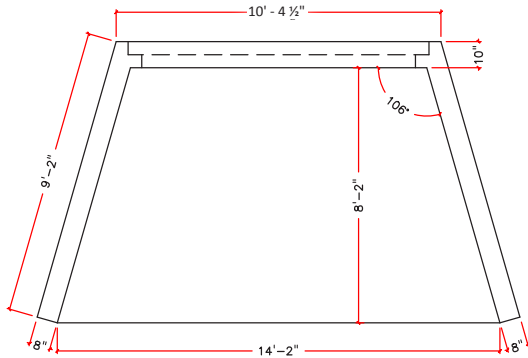
**Notes:** 96" endwall is not flared.

# Storm Sewer Systems

Drawing #: **A16**

Date: 0118

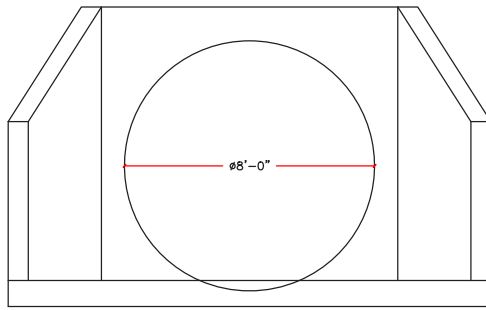
## 96" RC Headwall



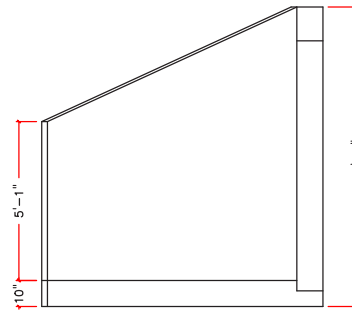
TOP VIEW

REINFORCING; #5 BAR 8" O.C.  
WALLS & FLOOR

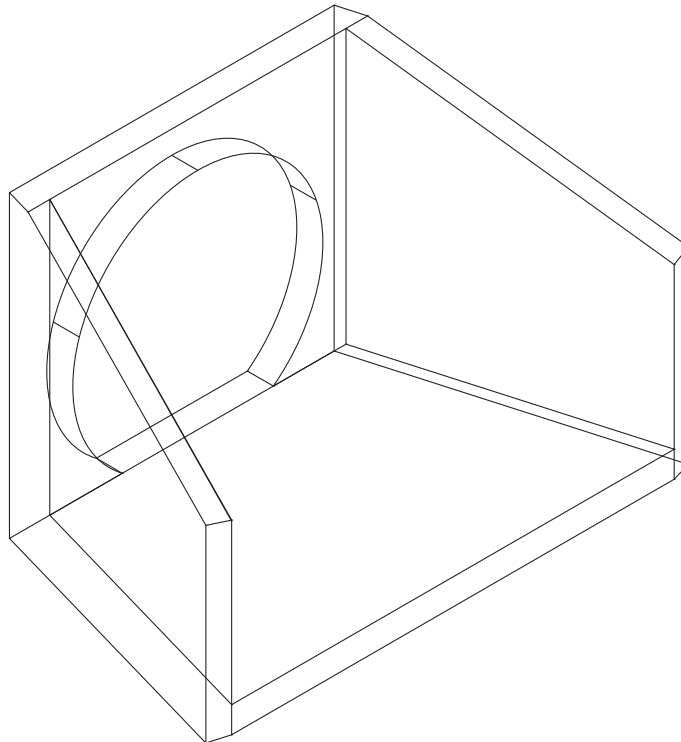
WEIGHT: 33,100 LBS



FRONT VIEW



SIDE VIEW

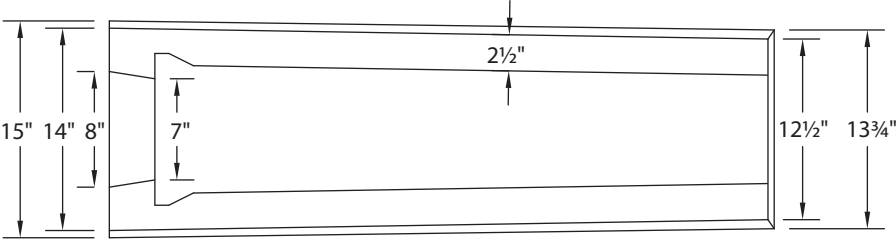


# Storm Sewer Systems

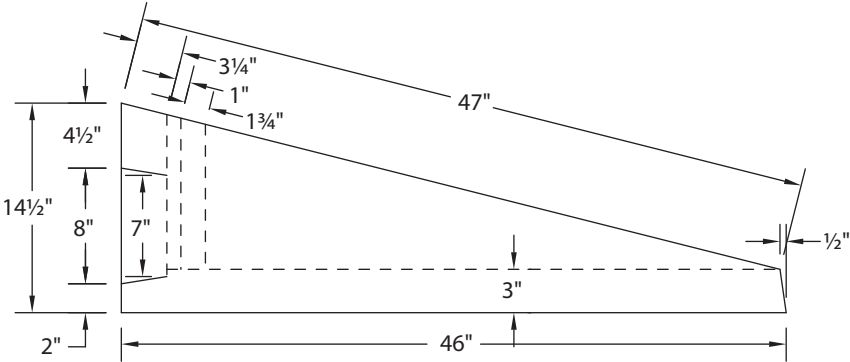
Drawing #: **A17**

Date: 0109

## 6" Concrete Endwall



PLAN VIEW



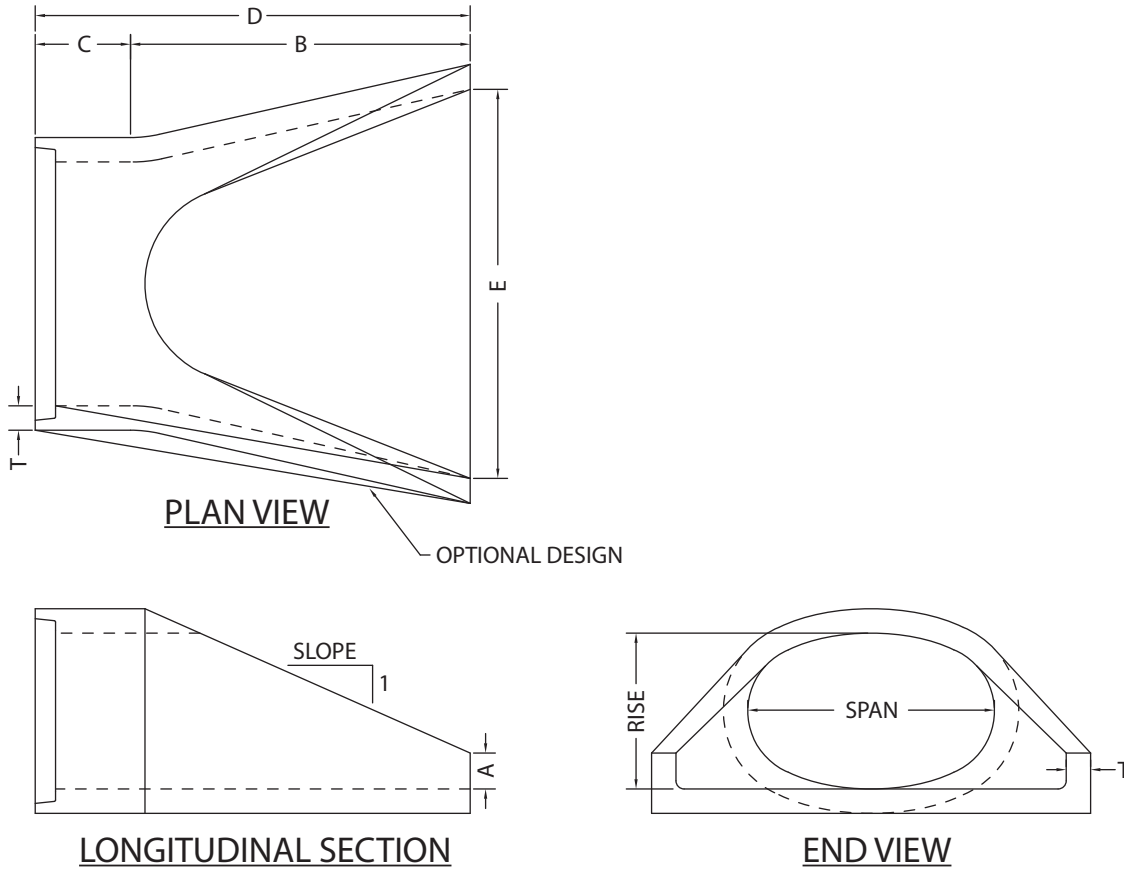
PROFILE VIEW

# Storm Sewer Systems

Drawing #: **A18**

Date: 0109

## Concrete Elliptical Endwalls



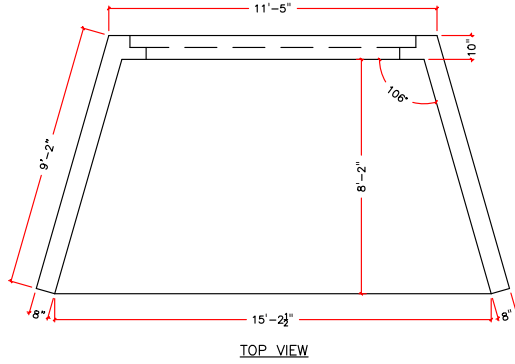
RISE & SPAN	LAY LENGTH (INCHES)	APPROX. SLOPE
14"x23"(18"EQ)	72	3 TO 1
19"x30"(24"EQ)	72	3 TO 1
24"x38"(30"EQ)	72	3 TO 1
29"x45"(36"EQ)	84	2.5 TO 1
34"x53"(42"EQ)	96	2.5 TO 1
38"x60"(48"EQ)	96	2.5 TO 1
43"x68"(54"EQ)	96	2.5 TO 1
48"x76"(60"EQ)	96	2.5 TO 1
53"x83"(66"EQ)	96	2.5 TO 1
58"x91"(72"EQ)	96	2.5 TO 1

# Storm Sewer Systems

Drawing # **A19**

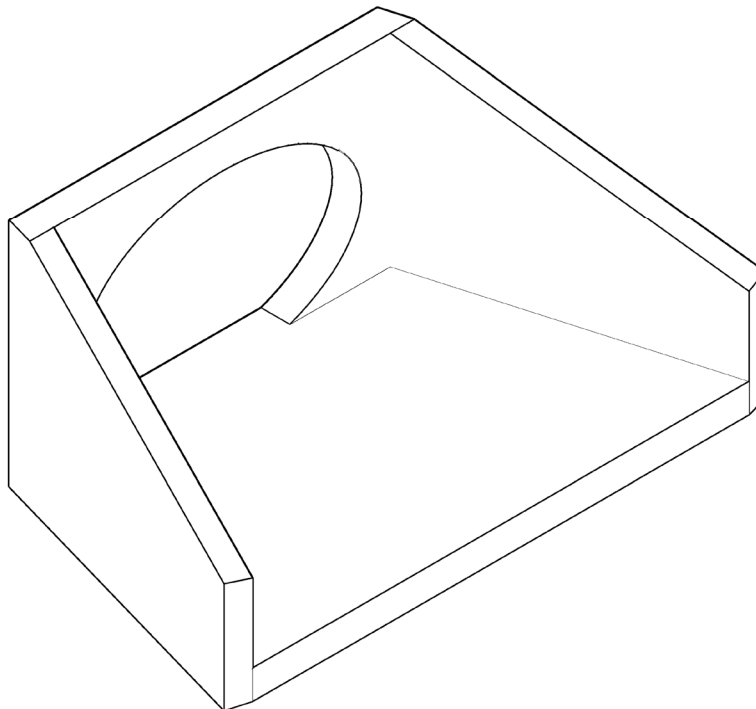
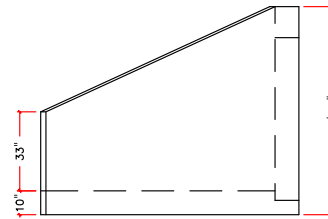
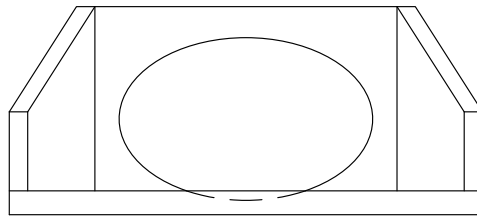
Date: 0118

68" x 106" (84" EQ) RC Headwall



REINFORCING; #5 BAR 8" O.C.  
WALLS & FLOOR

WEIGHT: 29,000 LBS

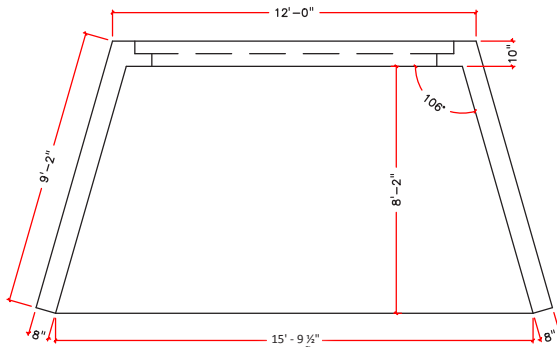


# Storm Sewer Systems

Drawing # **A20**

Date: 0118

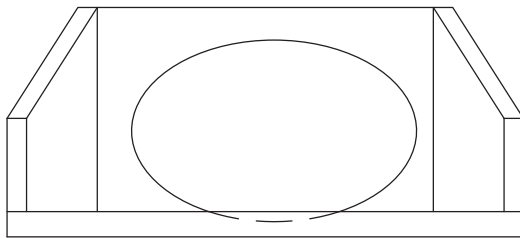
72" x 113" (90" EQ) RC Headwall



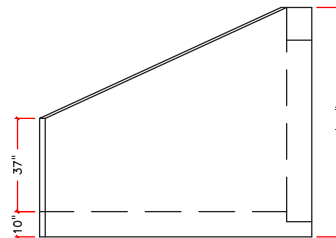
TOP VIEW

REINFORCING; #5 BAR 8" O.C.  
WALLS & FLOOR

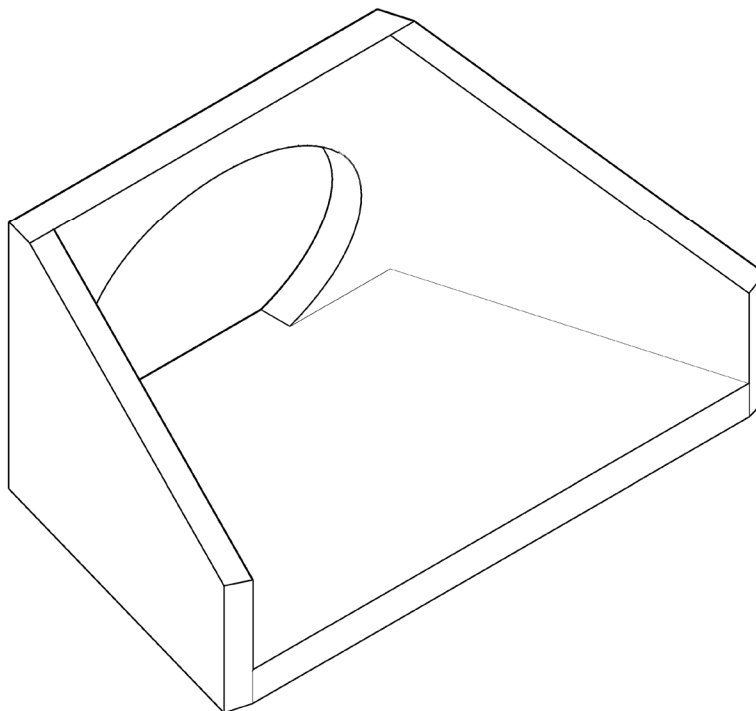
WEIGHT: 30,600 LBS



FRONT VIEW



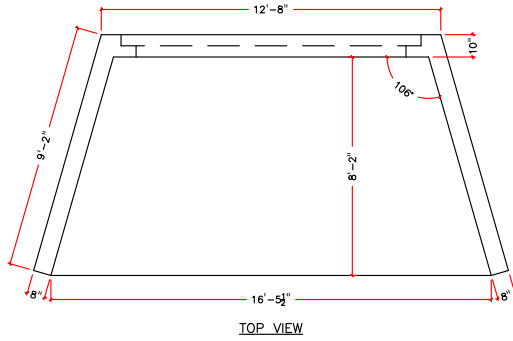
SIDE VIEW



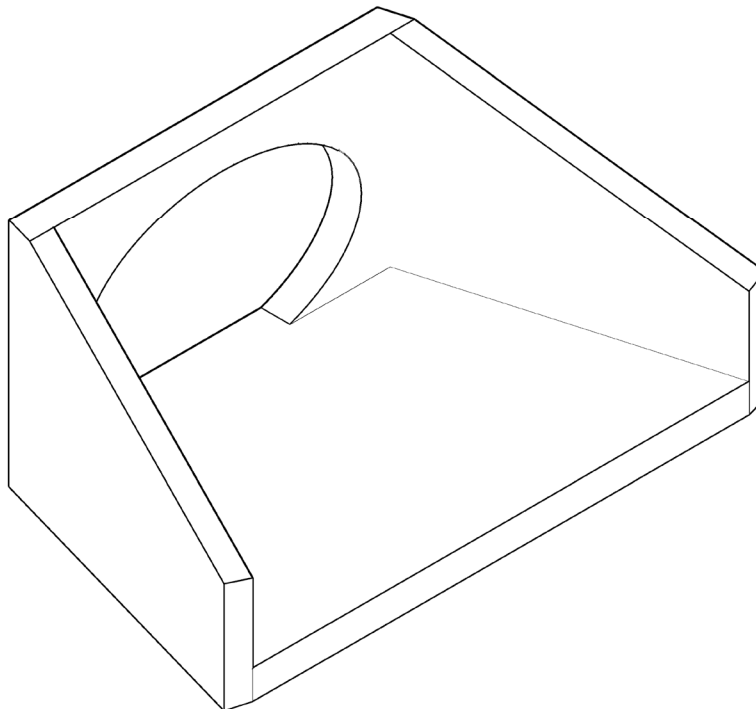
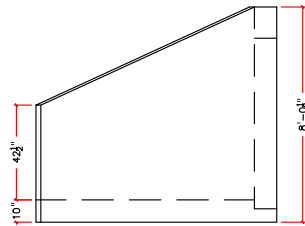
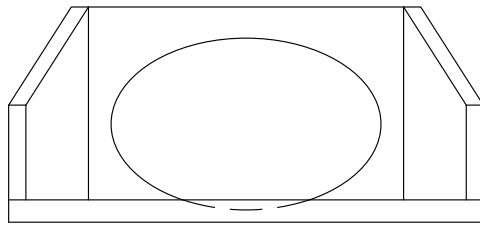
# Storm Sewer Systems

Drawing # **A21**  
Date: 0118

77" x 121" (96" EQ) RC Headwall



REINFORCING; #5 BAR 8" O.C.  
WALLS & FLOOR  
WEIGHT: 32,700 LBS



# Storm Sewer Systems

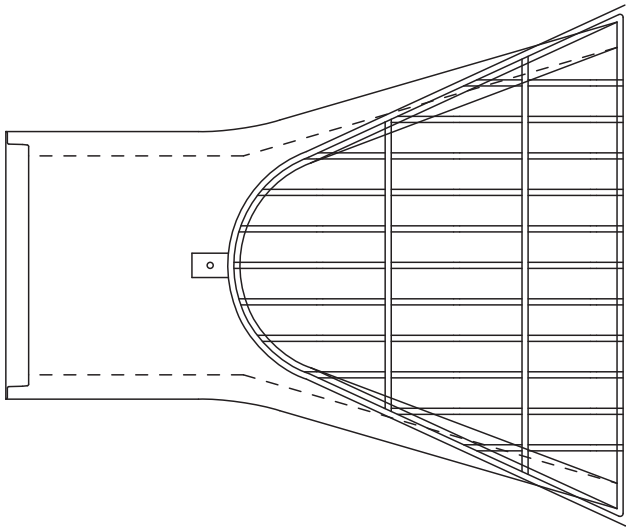
Drawing # **A22**

Date: 0109

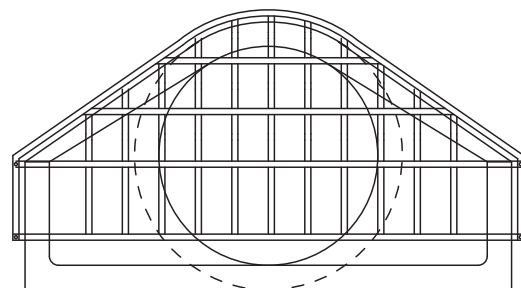
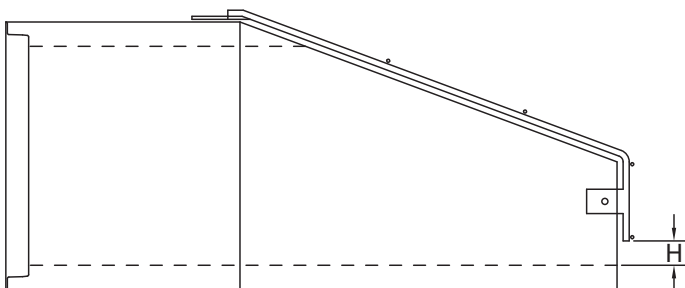
## Galvanized Trash Guards

ENDWALL SIZE	BAR DIAMETER	ANCHOR DIAMETER	H HEIGHT
12"	3/4"	5/8"	2 1/2"
15"	3/4"	5/8"	3"
18"	3/4"	5/8"	4"
21"	3/4"	5/8"	4"
24"	3/4"	5/8"	4"
27"	1"	5/8"	5"
30"	1"	5/8"	5"
36"	1"	5/8"	5"
42"	1"	5/8"	6"
48"	1"	5/8"	6"
54"	1 1/4"	5/8"	6"
60"	1 1/4"	5/8"	7"
66"	1 1/4"	5/8"	7"
72"	1 1/4"	5/8"	7"
84"	1 1/4"	5/8"	8"

ENDWALL SIZE	EQUIVALENT ID	BAR DIAMETER	ANCHOR DIAMETER	H HEIGHT
14" x 23"	18"	3/4"	5/8"	3"
19" x 30"	24"	3/4"	5/8"	4"
24" x 38"	30"	1"	5/8"	5"
29" x 45"	36"	1"	5/8"	5"
34" x 53"	42"	1"	5/8"	6"
38" x 60"	48"	1"	5/8"	6"
43" x 68"	54"	1"	5/8"	6"
48" x 76"	60"	1"	5/8"	7"



- 6" SPACING MAX.
- HINGED CONNECTOR PLATE w/ ANCHOR ATTACHED AT THREE POINTS TO ENDWALL

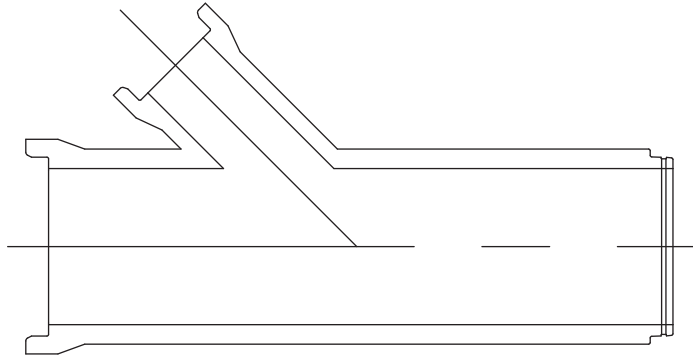


# Storm Sewer Systems

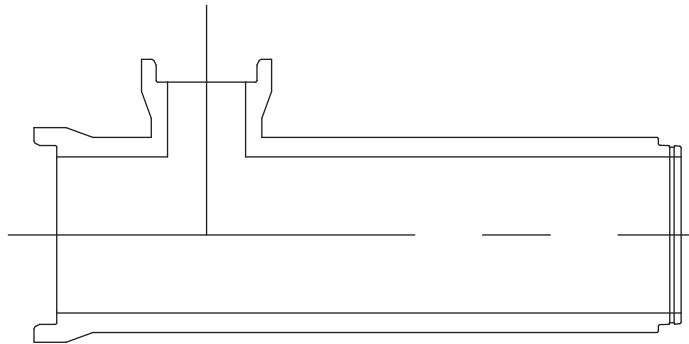
Drawing # **A23**

Date: 0109

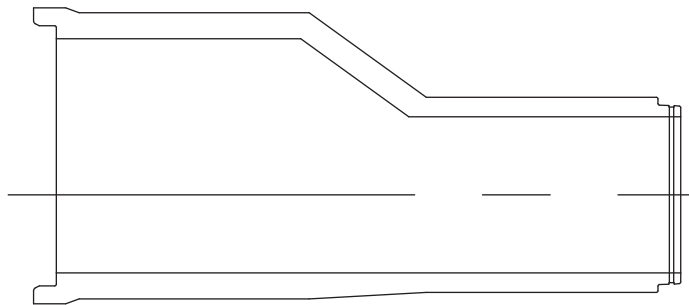
## Concrete Pipe Fittings (Wyes, Tees, & Transitions)



MAINLINE W/WYE



MAINLINE W/TEE



MAINLINE TRANSITION

### Notes:

- Mainline pipe 8'-0" lengths
- T's Bends, transitions limited placement options under 48" due to accessibility issues

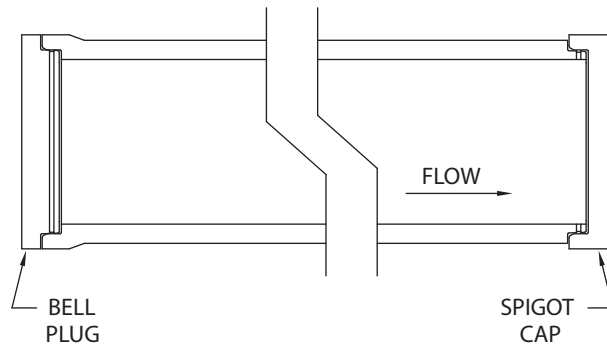
# Storm Sewer Systems

Drawing # **A24**

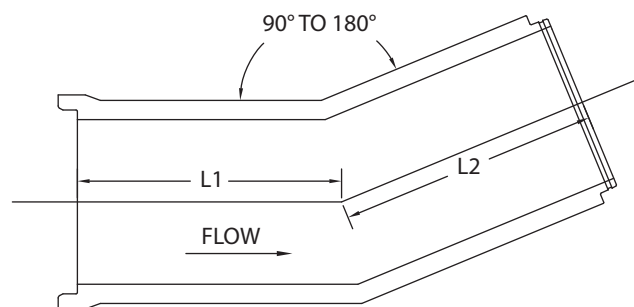
Date: 0109

## Concrete Pipe Fittings (Pipe Plugs / Caps & Fabricated Bends)

### SPIGOT CAPS & BELL PLUGS



### FABRICATED BENDS



- TOTAL LENGTH OF RCP BEND TO BE  $L1+L2 = 8'-0"$

#### Notes:

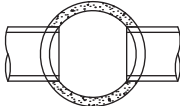
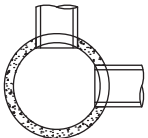
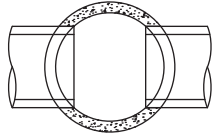
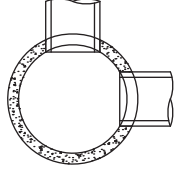
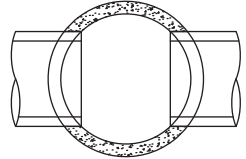
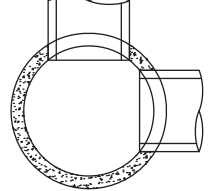
- Mainline pipe 8'-0" lengths
- T's Bends, transitions limited placement options under 48" due to accessibility issues

# Sanitary Sewer Systems

## Sanitary Manhole Sizing Chart

Drawing # **B1**

Date: 0109

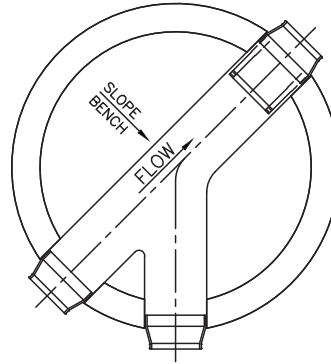
MANHOLE DIAMETER	MAXIMUM PIPE SIZE FOR PRECAST STRUCTURES	
	STRAIGHT	RIGHT ANGLE
<b>48"</b>	18" RCP  24" PVC	15" RCP  18" PVC
<b>60"</b>	24" RCP  30" DI	18" RCP  24" PVC
<b>72"</b>	30" RCP  36" DI	24" RCP  30" DI

# Sanitary Sewer Systems

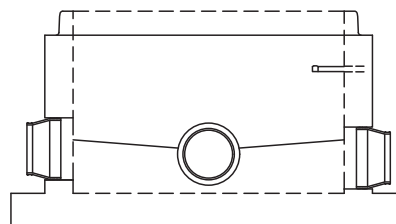
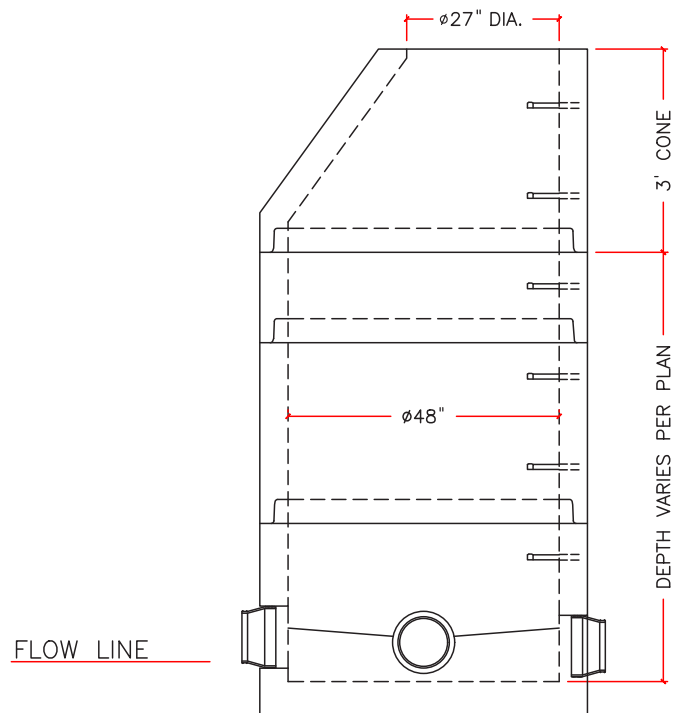
## Standard Sanitary Manhole

Drawing # **B2**

Date: 0109



NOTE: PLAN VIEW SHOWN WITH  
OPTIONAL FLOWLINES



OPTION: EXTENDED BASE

### Notes:

Plan view shown with optical flow lines.

### Specifications:

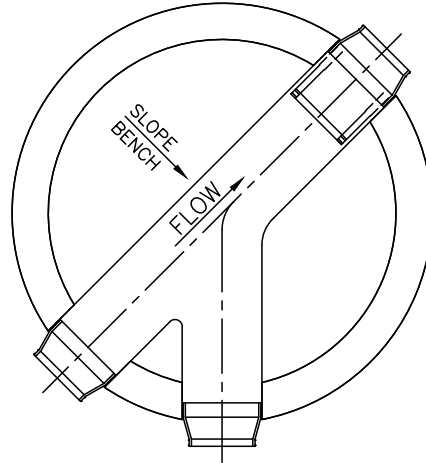
Manufactured to ASTM C-478 specifications.

# Sanitary Sewer Systems

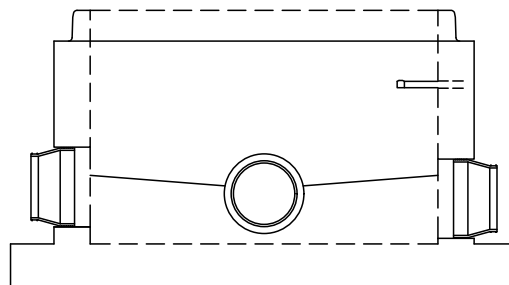
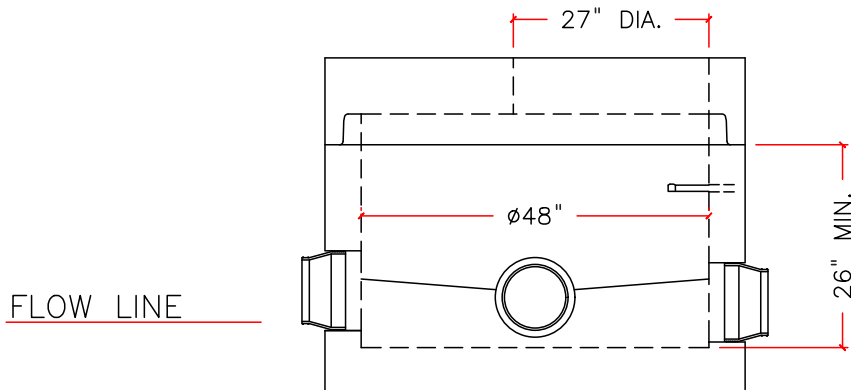
## Shallow Sanitary Manhole

Drawing # **B3**

Date: 0109



NOTE: PLAN VIEW SHOWN WITH  
OPTIONAL FLOWLINES



OPTION: EXTENDED BASE

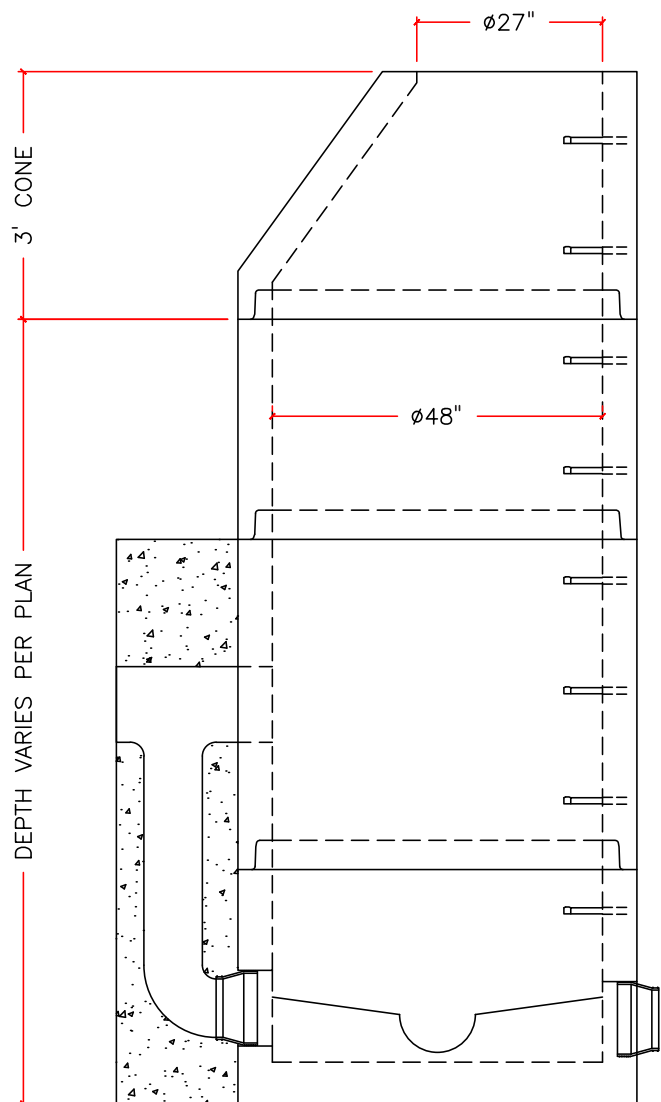
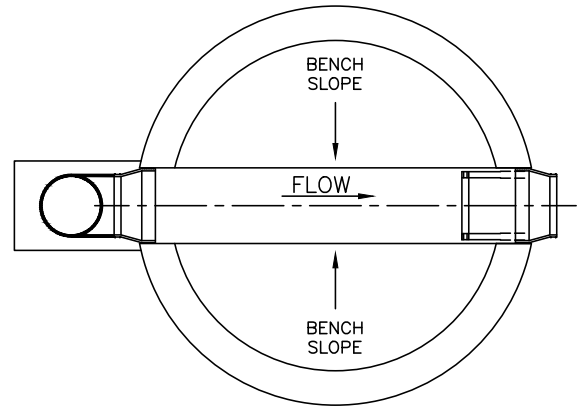
### Specifications:

Manufactured to ASTM C-478 specifications.

# Sanitary Sewer Systems

## Exterior Drop Manhole

Drawing # **B4**  
Date: 0109



### Specifications:

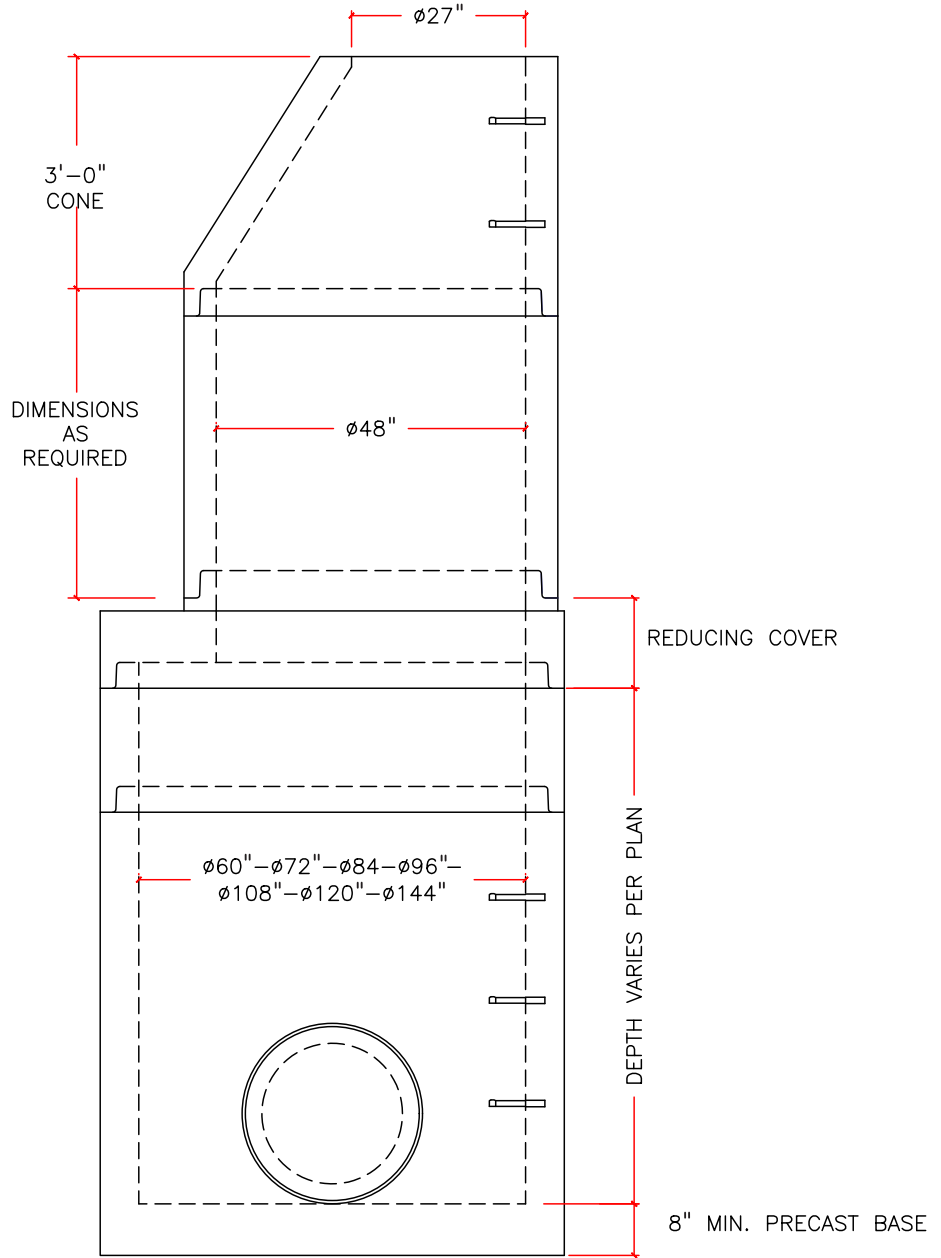
- Manufactured to ASTM C-478 specifications.
- Step-Steel, Plastic coated, 16" C-C
- Extended monolithic base section built per plan dimensions and specifications by special order.
- Pipe to manhole boot seal accommodates 2" through 18" pipe, call for special larger pipe sizing.
- Flow lines available on request
- 48" diameter - 890 lbs. / vertical ft.

# Sanitary Sewer Systems

## Sanitary Reduction Manhole

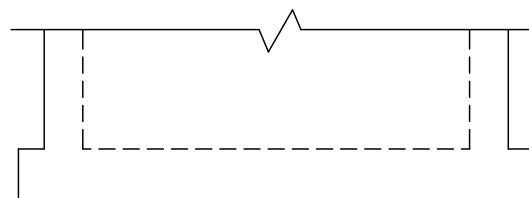
Drawing # **B5**

Date: 0109



### Specifications:

- Manufactured to ASTM C-478 specifications.
- See detail for reduction cover data.



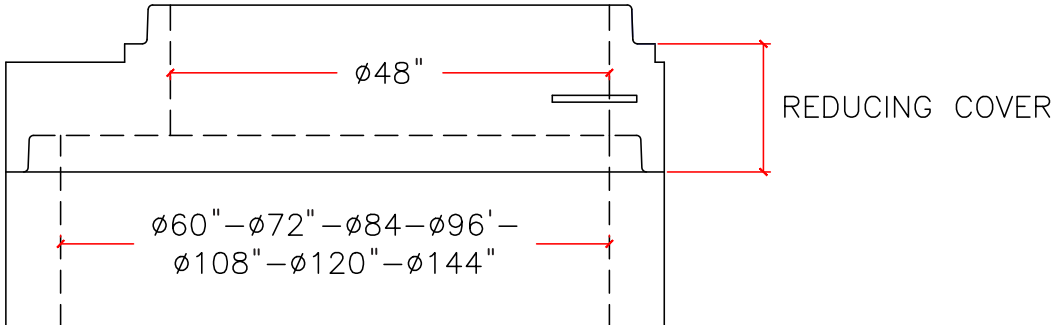
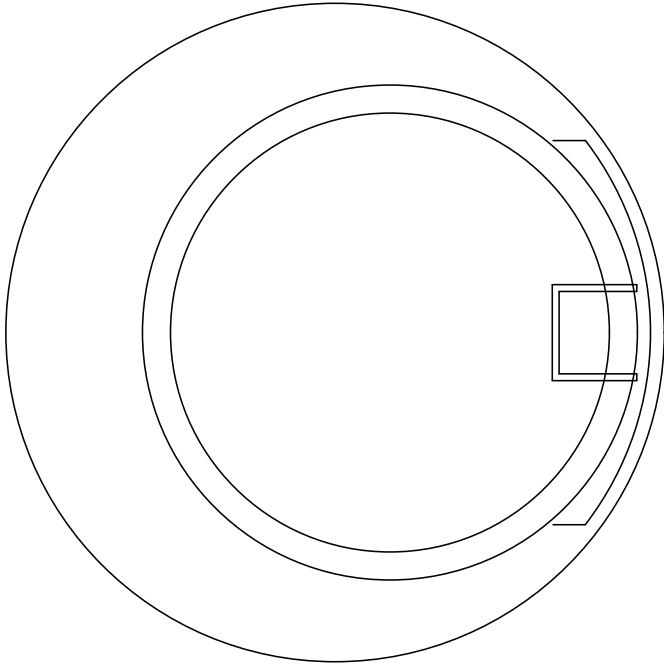
OPTION: EXTENDED BASE

# Sanitary Sewer Systems

## Reduction Cover

Drawing #: **B6**

Date: 0109



**Specifications:**

- Manufactured to ASTM C-478 specifications.





