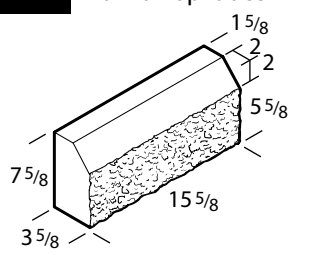
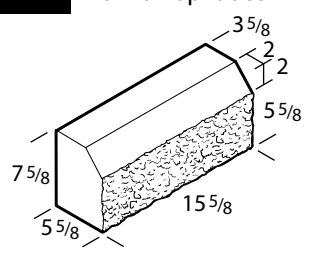
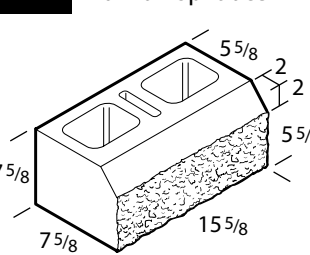
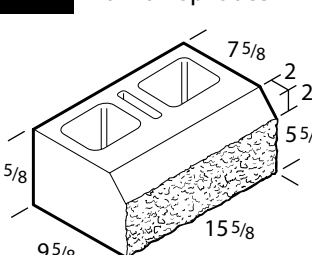


# Horizon™ Splitface Block

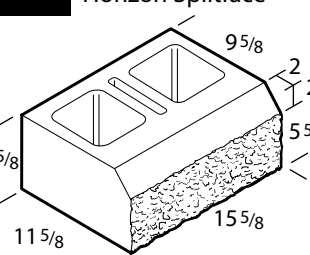
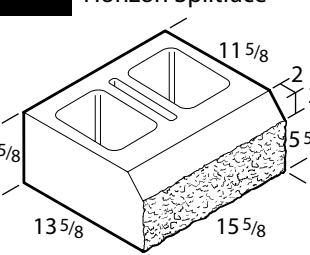
## SHAPES AND SIZES

### HORIZON™ SPLITFACE BLOCK

HORIZON Splitface Block are a dramatic option for walls, corner detailing and column elements. Striking effects are also achieved when HORIZON Splitface Block are incorporated into signage and entrance designs, or stacked with their bottom surfaces together to create a log cabin appearance.

<p><b>4" to 2"</b> Horizon Splitface</p>  <p>046120 Concrete</p>	<p><b>6" to 4"</b> Horizon Splitface</p>  <p>066120 Concrete</p>	<p><b>8" to 6"</b> Horizon Splitface</p>  <p>086120 Concrete</p>	<p><b>10" to 8"</b> Horizon Splitface</p>  <p>106120 Concrete</p>
--	--	---	---



<p><b>12" to 10"</b> Horizon Splitface</p>  <p>126120 Concrete</p>	<p><b>14" to 12"</b> Horizon Splitface</p>  <p>146120 Concrete</p>
--	---

Unit Availability	NOMINAL WIDTHS					
	4" to 2"	6" to 4"	8" to 6"	10" to 8"	12" to 10"	14" to 12"
Stretcher			✓	✓	✓	✓
Flush End/Sash/Splitable		✓	✓	✓	✓	✓
Bond Beam*			✓	✓	✓	✓
Double Flush End		✓	✓	✓	✓	✓
All Solid	✓	✓				
Corner Configurations	Field Mitered Corners					

**Contact your sales rep for:** stocking and/or special order status, water repellent, integral color options, etc.

\* Bond Beams only available with chamfer in the top position.  
 Note: Not all block immediately available at all County Materials locations.  
 All dimensions nominal.