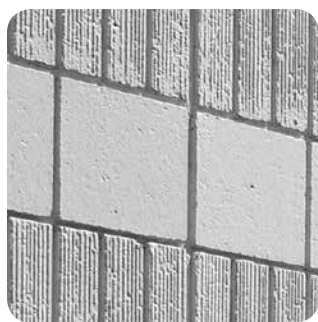
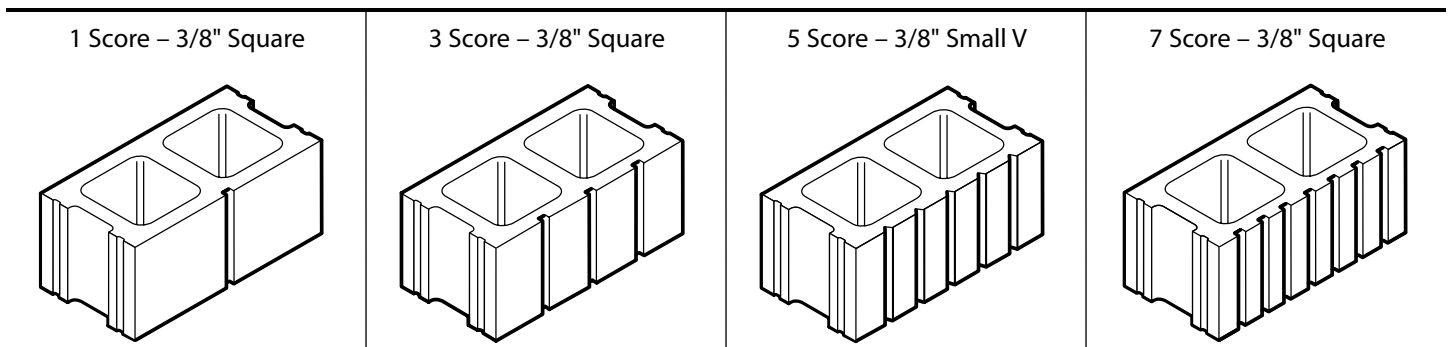


Scored Smooth Block

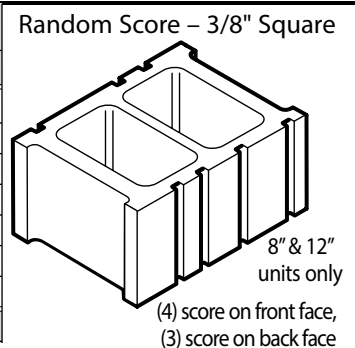
SHAPES & SIZES

SCORED SMOOTH BLOCK

Whether they're used as horizontal accent bands or to clad exterior and interior walls, SCORED SMOOTH BLOCK lend a **rich façade of uniformly clean, modern lines**. When orchestrated in combination with highly textured Fullface Split masonry, the contrasting flat surfaces of SCORED SMOOTH BLOCK offer an attractive and interesting solution for commercial, industrial and residential architecture. Several score options are available, including: 3/8" square score, 3/8" small "V" score and 3/8" round score. *Call for availability.*

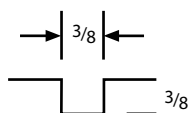


Unit Availability	NOMINAL WIDTHS						
	4"	6"	8"	10"	12"	14"	16"
Stretcher			✓	✓	✓	✓	✓
Flush End/Sash/Splitable	✓	✓	✓	✓	✓	✓	✓
Bond Beam		✓	✓	✓	✓	✓	✓
Double Flush End	✓	✓	✓	✓	✓	✓	✓
All Solid	✓						
Half Block - 8" Long			✓		✓		
Half High - 4" High	✓	✓	✓	✓	✓		
Corner Configurations	8" Return corner / 4" Corner 15 5/8" Long						



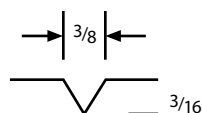
Score Options

3/8" Square Score



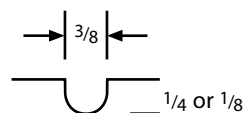
Available Scores: 1, 3, 5, 7

3/8" Small V Score



Available Scores: 1, 3, 5, 7

3/8" Round Score



1/4" Deep Available Scores: 1
1/8" Deep Available Scores: 1, 3, 5

* Depth of scores vary by manufacturing location. Contact your local County Materials representative for information.

Contact your sales rep for: stocking and/or special order status, water repellent, integral color options, etc.

Note: Not all block immediately available at all County Materials locations. All dimensions nominal.