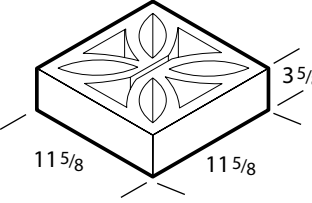
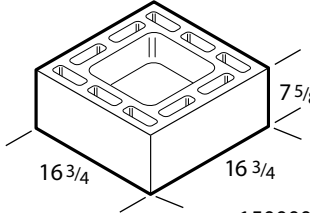
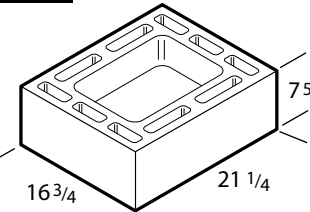
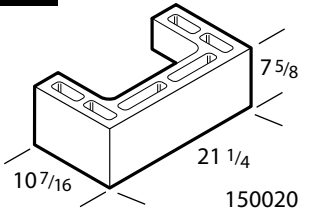
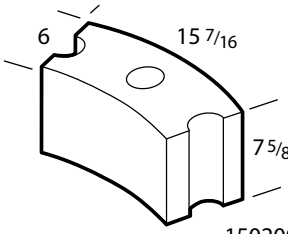
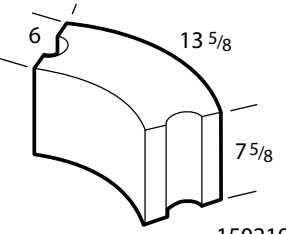


# Special Block

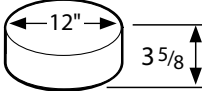
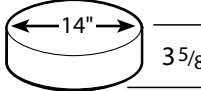
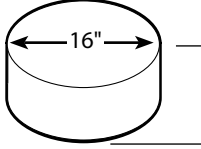
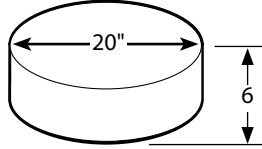
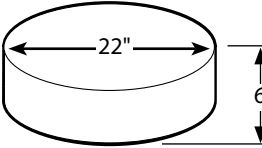
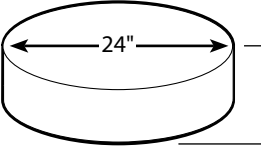
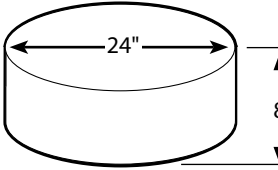
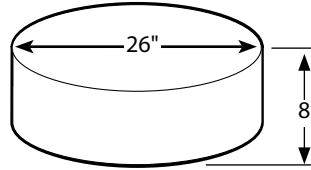
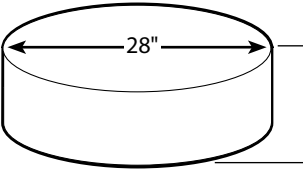
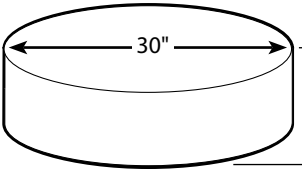
## SHAPES AND SIZES

<p><b>Beauty Block</b></p>  <p>11 <sup>5</sup>/<sub>8</sub>      11 <sup>5</sup>/<sub>8</sub>      3 <sup>5</sup>/<sub>8</sub></p> <p>Special Order</p>	<p><b>8 x 8 Chimney Block</b></p>  <p>16 <sup>3</sup>/<sub>4</sub>      16 <sup>3</sup>/<sub>4</sub>      7 <sup>5</sup>/<sub>8</sub></p> <p>150000 Inside Dimension = 9 <sup>3</sup>/<sub>8</sub> x 9 <sup>3</sup>/<sub>8</sub> Available with Cut-Outs</p>	<p><b>8 x 12 Chimney Block</b></p>  <p>16 <sup>3</sup>/<sub>4</sub>      21 <sup>1</sup>/<sub>4</sub>      7 <sup>5</sup>/<sub>8</sub></p> <p>150010 Inside Dimension = 9 <sup>3</sup>/<sub>8</sub> x 13 <sup>5</sup>/<sub>8</sub> Available with Cut-Outs</p>	<p><b>12 x 12 Chimney Block</b></p>  <p>10 <sup>7</sup>/<sub>16</sub>      21 <sup>1</sup>/<sub>4</sub>      7 <sup>5</sup>/<sub>8</sub></p> <p>150020 Inside Dia. = 13 <sup>5</sup>/<sub>8</sub> x 13 <sup>5</sup>/<sub>8</sub> (Requires 2 pcs.) Available with Cut-Outs</p>
<p><b>Manhole Block</b></p>  <p>6      15 <sup>7</sup>/<sub>16</sub>      7 <sup>5</sup>/<sub>8</sub></p> <p>150200 49 lbs. / 12 pc. = 48" Inside Dia.</p>	<p><b>Manhole Block</b></p>  <p>6      13 <sup>5</sup>/<sub>8</sub>      7 <sup>5</sup>/<sub>8</sub></p> <p>150210 42 lbs. / 8 pc. = 24" Inside Dia.</p>		

**Note: Not all block immediately available at all County Materials locations.  
All dimensions nominal.**

# Special Block

## SHAPES AND SIZES

<p><b>12 in.</b> Diameter Pole Pad*</p>  <p>150340 35 lbs.</p>	<p><b>14 in.</b> Diameter Pole Pad*</p>  <p>150300 45 lbs.</p>	<p><b>16 in.</b> Diameter Pole Pad*</p>  <p>150305 106 lbs.</p>	<p><b>20 in.</b> Diameter Pole Pad*</p>  <p>150310 160 lbs.</p>
<p><b>22 in.</b> Diameter Pole Pad*</p>  <p>150320 195 lbs.</p>	<p><b>24 in.</b> Diameter Pole Pad*</p>  <p>150330 232 lbs.</p>	<p><b>24 in.</b> Diameter Pole Pad</p>  <p>150332 310 lbs.</p>	<p><b>26 in.</b> Diameter Pole Pad</p>  <p>150335 366 lbs.</p>
<p><b>28 in.</b> Diameter Pole Pad</p>  <p>150333 410 lbs.</p>	<p><b>30 in.</b> Diameter Pole Pad</p>  <p>150334 480 lbs.</p>		

**Note: Not all block immediately available at all County Materials locations.  
\* Additional Pole Pad sizes including 8" thick are available. Contact your sales representative.  
All dimensions nominal.**