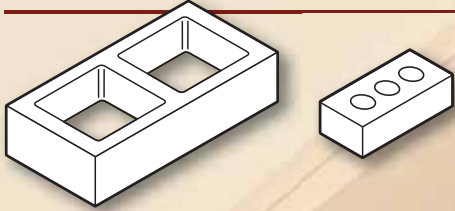
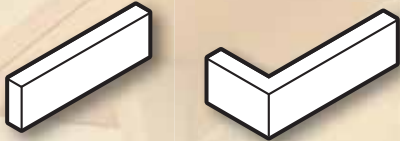




Available in Load-bearing,
Full Veneer and Thin Veneer Units



• Load-bearing & Full Veneer
Shapes and Sizes Page 76



• Thin Veneer
Shapes and Sizes Page 77



Heritage Collection™

Designer Concrete Brick

Concrete Brick Construction Provides an Enduring Legacy

It's easy to see why discriminating architects and designers specify Heritage Collection™ Designer Concrete Brick as their preferred building material of choice. Heritage Collection adds traditional brick aesthetics to a project while offering the ultimate in design versatility because it's available in structural concrete load-bearing or full and thin veneer units. Even more than its craftsmanship and beauty, concrete brick is recognized for its many advantages:

- Resiliency
- Durability
- Proven service-life
- Low maintenance
- Resistant to fire, rot and weather
- Economical

Comparatively speaking, Heritage Collection Designer Concrete Brick offers so much more added value than alternative materials, including higher resale and property values.

Utilize Heritage Collection to enhance the character of commercial, public and residential buildings and reap the unmatched advantages of concrete masonry construction.



Heritage Collection™
Designer Concrete Brick

Heritage Collection™
Designer Concrete Brick
– Cardinal Blend and
Burgundy Blend



Heritage Collection™ Designer Concrete Brick
– Custom Colors (Tumbled)

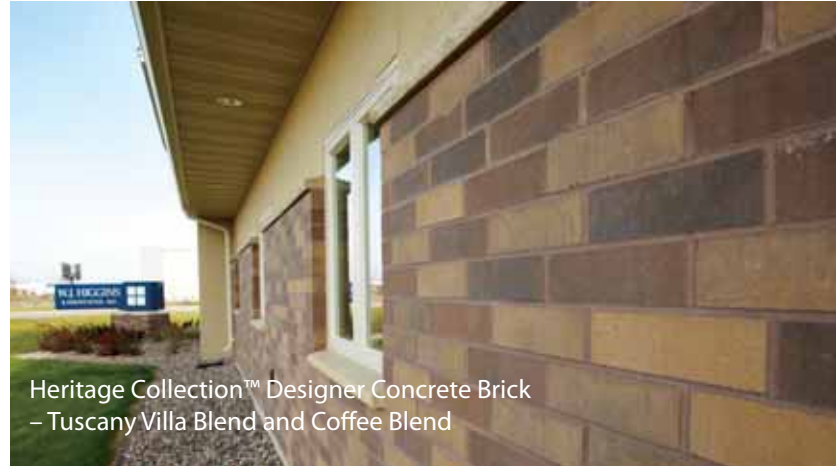
Heritage Collection™ Designer Concrete Brick
– Custom Color



Heritage Collection™ Designer Concrete Brick Color Options

Long Lasting Color

Heritage Collection™ Designer Concrete Brick is engineered for lasting value. Pigments are integrated throughout the entire brick with a unique integral color blending process, rather than just “coating” the brick’s surface.

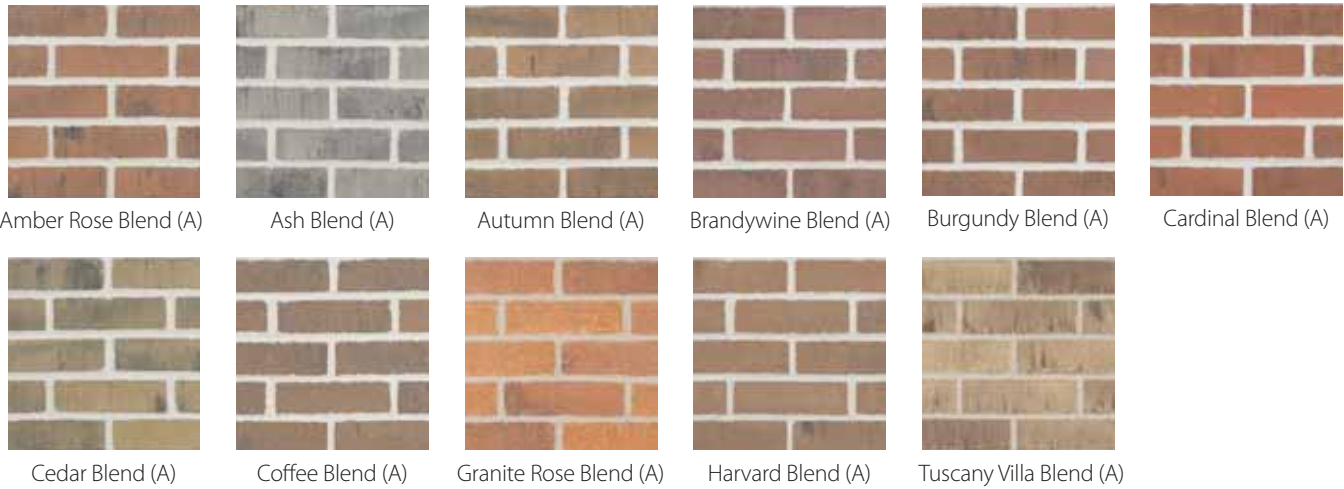


Heritage Collection™ Designer Concrete Brick
– Tuscan Villa Blend and Coffee Blend



Heritage Collection™ Designer Concrete Brick
– Amber Rose Blend

Blended (with Flashing)



NF (no Flashing)



(Letter) following color name denotes pricing level.

Colors, product data, and availability are subject to change without notice. Please confirm all details with a County Materials representative for availability in your area. Colors shown may vary from actual hues and should only be used as a guide. Refer to actual product samples for final color selection.

Tumbled



Facing Options (for Blended and NF)

Smooth Splitface

Rough Estate

Heritage Collection™ Designer Concrete Brick Sustainable Solution

Helps Meet LEED® Certification

County Materials' sustainable manufacturing process can contribute toward projects achieving LEED® award levels under the guidelines established by U.S. Green Building Council. Our concrete brick manufacturing process uses less energy and a fraction of the CO₂ footprint than clay brick.

Additionally, County Materials manufactures Heritage Collection™ Designer Concrete Brick with post-industrial, preconsumer recycled content.



Heritage Collection™ Designer Concrete Brick
– Amber Rose Blend

Heritage Collection™ Designer Concrete Brick
– Amber Rose Blend



Heritage Collection™ Designer Concrete Brick
– Brandywine and Amber Rose Blend





Heritage Collection™ Designer Concrete Brick
– Custom Color



Heritage Collection™ Designer Concrete Brick
– Custom Color and Slate

Heritage Collection™
Designer Concrete Brick



Heritage Collection™ Designer Concrete Brick
– Cardinal Blend



Heritage Collection™ Designer Concrete Brick
– Burgundy Blend

Heritage
Collection™
DESIGNER CONCRETE BRICK



Heritage Collection™ Designer Concrete Brick
– Cinnabar, Harvard Blend and Coffee Blend

Heritage Collection™ Designer Concrete Brick Unmatched Advantages

Superior Performance

Take another look at concrete brick construction. Because of its unmatched advantages Heritage Collection™ Designer Concrete Brick make schools, businesses and homes more comfortable, economical and safe.

- Meets acoustic STC ratings
- Resists abuse
- High fire resistance
- Preserves indoor air quality
- Lowers insurance costs
- Minimizes maintenance and repairs
- Adds to overall project service life
- Is readily available
- Economical construction material selection
- Installation efficiency



Heritage Collection™ Designer Concrete Brick
– Sand Castle Blend and Tuscan Villa Blend
and Reflection Stone® Masonry Units
– Custom Colors

Heritage Collection™ Designer Concrete Brick
– Custom Color, Amber Rose Blend and Deerfield



Heritage Collection™ Designer Concrete Brick
– Custom Color



Heritage Collection™ Designer Concrete Brick
– Slate

Heritage Collection™ Designer Concrete Brick
– Brandywine



Heritage Collection™ Designer Concrete Brick

SHAPES AND SIZES

HERITAGE COLLECTION™ LOAD-BEARING UNITS

Heritage Collection™ Designer Concrete Brick is available as either structural load-bearing or veneer units, and offer unmatched value by combining the aesthetics of brick with all the advantages of concrete masonry units.

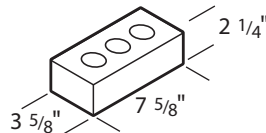
LOAD-BEARING



Available facing styles:
smooth, splitface, rough
estate and tumbled

3 5/8" x 2 1/4" x 7 5/8"

Modular Brick

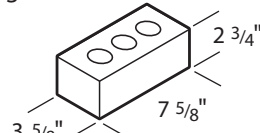


6.85 Brick per sq. ft.
Weight: 3.5 lbs.

Not available in Rough Estate.

3 5/8" x 2 3/4" x 7 5/8"

Engineer Brick

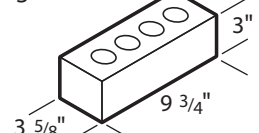


5.67 Brick per sq. ft.
Weight: 4.4 lbs.

Not available in Rough Estate or Splitface.

3 5/8" x 3" x 9 3/4"

King Size Brick

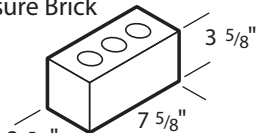


4.2 Brick per sq. ft.
Weight: 5.2 lbs.

Not available in Splitface.

3 5/8" x 3 5/8" x 7 5/8"

Closure Brick

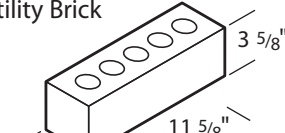


4.5 Brick per sq. ft.
Weight: 6.5 lbs.

Not available in Splitface

3 5/8" x 3 5/8" x 11 5/8"

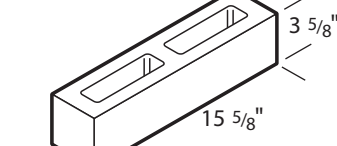
Utility Brick



3 Brick per sq. ft.
Weight: 9.4 lbs.

(Length is 9 5/8" for Splitface texture)

4" x 4" x 16"

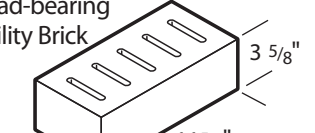


2.25 Brick per sq. ft.
Weight: 12 lbs.

Not available in Tumbled.

6" x 4" x 12"

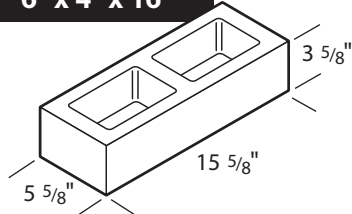
Load-bearing
Utility Brick



3 Brick per sq. ft.
Weight: 12.7 lbs.

Not available in Rough Estate, Splitface or Tumbled.

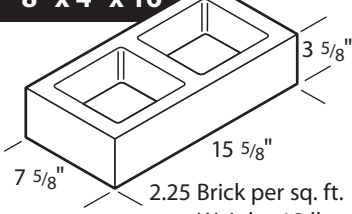
6" x 4" x 16"



2.25 Brick per sq. ft.
Weight: 13 lbs.

Not available in Tumbled.

8" x 4" x 16"



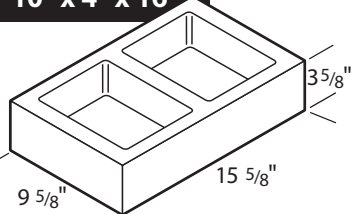
2.25 Brick per sq. ft.
Weight: 18 lbs.

Not available in Tumbled.



Note: Also available in a 2-hour fire rated unit. Ask a sales representative for more information.

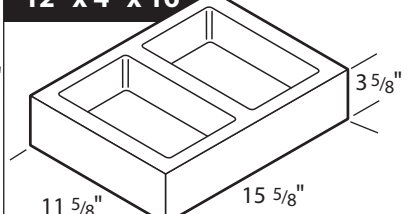
10" x 4" x 16"



2.25 Brick per sq. ft.
Weight: 21 lbs.

Not available in Tumbled.

12" x 4" x 16"

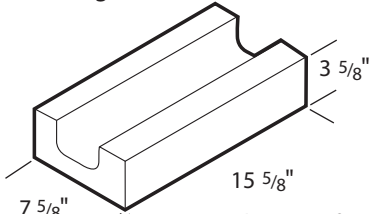


2.25 Brick per sq. ft.
Weight: 25 lbs.

Not available in Tumbled.

8" x 4" x 16"

Half High Bond Beam

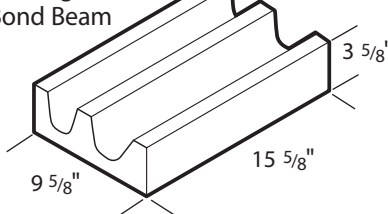


2.25 Brick per sq. ft.
Weight: 23.5 lbs.

Not available in Tumbled.

10" x 4" x 16"

Half High Bond Beam

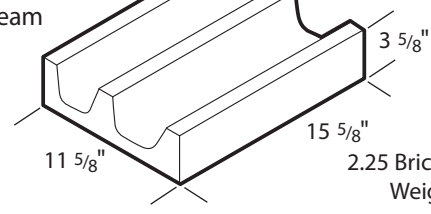


2.25 Brick per sq. ft.
Weight: 33 lbs.

Not available in Tumbled.

12" x 4" x 16"

Half High Bond Beam



2.25 Brick per sq. ft.
Weight: 40 lbs.

Not available in Tumbled.

Contact your local County Materials for product literature, samples and availability.
Note: Not all block immediately available at all County Materials locations.
All dimensions nominal.

Heritage Collection™ Designer Concrete Brick

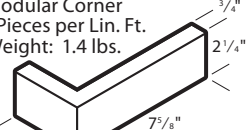

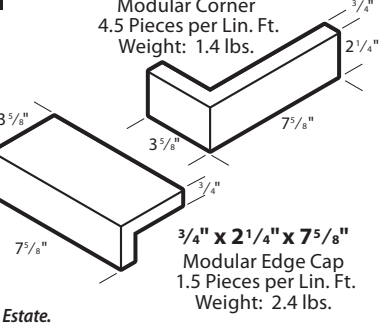
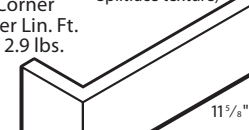
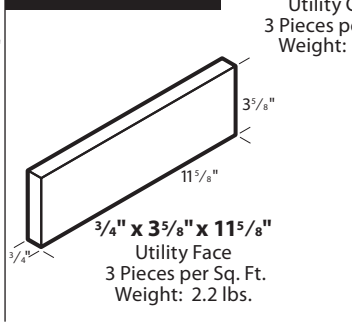
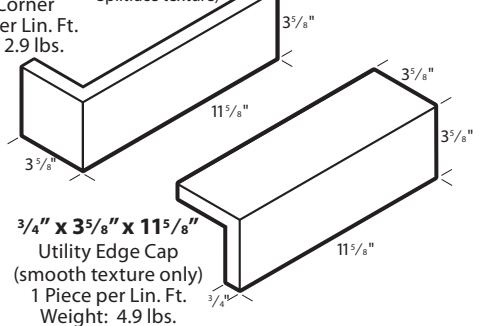
SHAPES AND SIZES

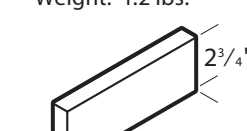


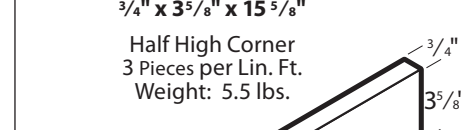

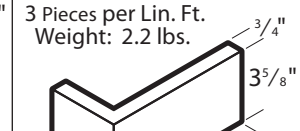
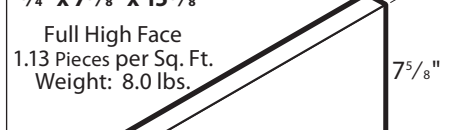
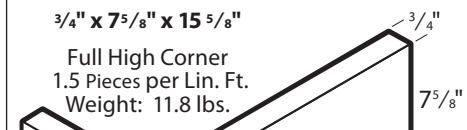
HERITAGE COLLECTION™ THIN VENEERS – FIELD APPLIED

Notes:

1, 3, 5 and 7 scores are available (on 4 x 16 and 8 x 16 faces only).
 Splitface thickness will range from 3/4" to 1-1/4" thick on applicable sizes.



Modular	Utility
<p>Modular Corner $\frac{3}{4}'' \times 2\frac{1}{4}'' \times 7\frac{5}{8}''$ 4.5 Pieces per Lin. Ft. Weight: 1.4 lbs.</p>  <p>Modular Face $\frac{3}{4}'' \times 2\frac{1}{4}'' \times 7\frac{5}{8}''$ 6.85 Pieces per Sq. Ft. Weight: 1.0 lbs.</p>  <p>Modular Edge Cap $\frac{3}{4}'' \times 2\frac{1}{4}'' \times 7\frac{5}{8}''$ 1.5 Pieces per Lin. Ft. Weight: 2.4 lbs.</p>  <p><i>Not available in Rough Estate.</i></p>	<p>Utility Corner $\frac{3}{4}'' \times 3\frac{5}{8}'' \times 11\frac{5}{8}''$ (Length is 9 5/8" for Splitface texture) 3 Pieces per Lin. Ft. Weight: 2.9 lbs.</p>  <p>Utility Face $\frac{3}{4}'' \times 3\frac{5}{8}'' \times 11\frac{5}{8}''$ 3 Pieces per Sq. Ft. Weight: 2.2 lbs.</p>  <p>Utility Edge Cap $\frac{3}{4}'' \times 3\frac{5}{8}'' \times 11\frac{5}{8}''$ (smooth texture only) 1 Piece per Lin. Ft. Weight: 4.9 lbs.</p> 

Engineer	Half High	Closure	Full High
<p>(Engineer pieces not available in Splitface or Rough Estate textures)</p> <p>Engineer Face $\frac{3}{4}'' \times 2\frac{3}{4}'' \times 7\frac{5}{8}''$ 5.67 Pieces per Sq. Ft. Weight: 1.2 lbs.</p>  <p>Engineer Corner $\frac{3}{4}'' \times 2\frac{3}{4}'' \times 7\frac{5}{8}''$ 4 Pieces per Lin. Ft. Weight: 1.6 lbs.</p> 	<p>(Half High pieces not available in Tumbled textures)</p> <p>Half High Face $\frac{3}{4}'' \times 3\frac{5}{8}'' \times 15\frac{5}{8}''$ 2.26 Pieces per Sq. Ft. Weight: 3.4 lbs.</p>  <p>Half High Corner $\frac{3}{4}'' \times 3\frac{5}{8}'' \times 15\frac{5}{8}''$ 3 Pieces per Lin. Ft. Weight: 5.5 lbs.</p> 	<p>(Closure pieces not available in Splitface texture)</p> <p>Closure Face $\frac{3}{4}'' \times 3\frac{5}{8}'' \times 7\frac{5}{8}''$ 4.5 Pieces per Sq. Ft. Weight: 1.6 lbs.</p>  <p>Closure Corner $\frac{3}{4}'' \times 3\frac{5}{8}'' \times 7\frac{5}{8}''$ 3 Pieces per Lin. Ft. Weight: 2.2 lbs.</p> 	<p>(Full high pieces not available in Tumbled & Rough Estate textures.)</p> <p>Full High Face $\frac{3}{4}'' \times 7\frac{5}{8}'' \times 15\frac{5}{8}''$ 1.13 Pieces per Sq. Ft. Weight: 8.0 lbs.</p>  <p>Full High Corner $\frac{3}{4}'' \times 7\frac{5}{8}'' \times 15\frac{5}{8}''$ 1.5 Pieces per Lin. Ft. Weight: 11.8 lbs.</p> 

All dimensions nominal.